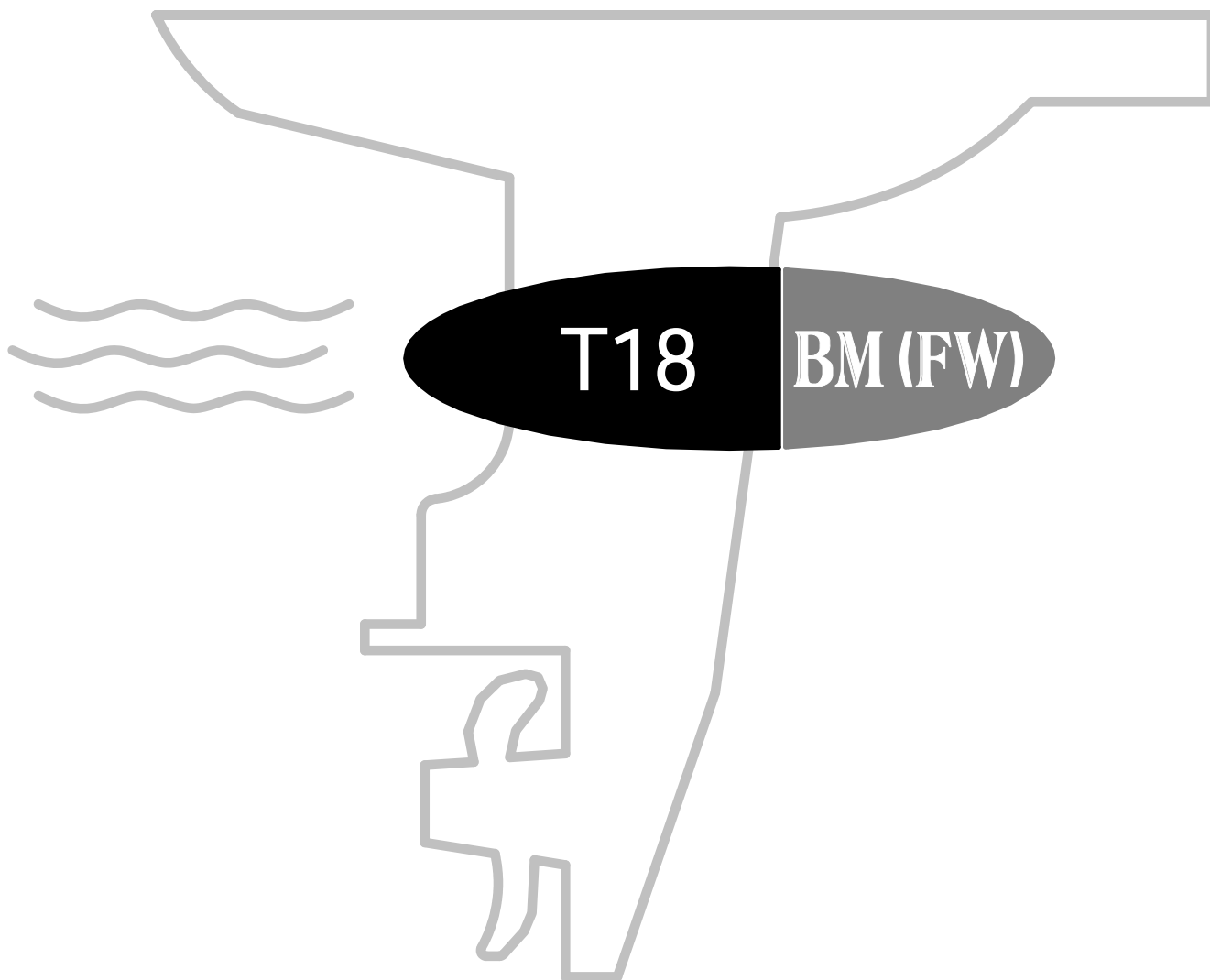


零件目录

PARTS CATALOGUE



苏州百胜动力机器股份有限公司

SUZHOU PARSUN POWER MACHINE CO., LTD

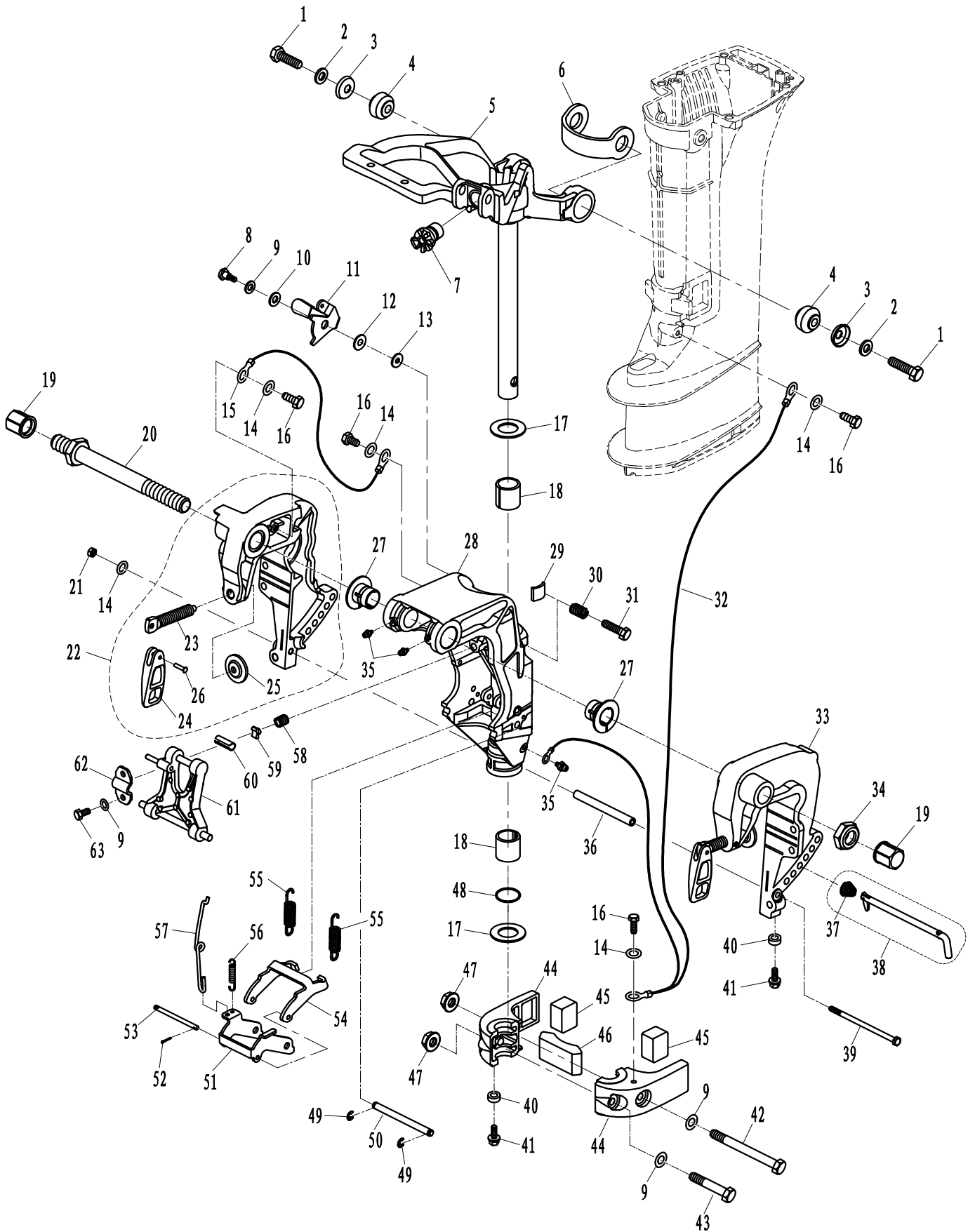
目录

CONTENTS

托架 — — — — —	1~3
BRACKET — — — — —	1~3
操舵系统 — — — — —	4~5
STEERING — — — — —	4~5
水上装置壳体 — — — — —	6~7
UPPER CASING — — — — —	6~7
底罩 — — — — —	8~9
BOTTOM COWLING — — — — —	8~9
控制系统 1 — — — — —	10~11
CONTROL SYSTEM 1 — — — — —	10~11
控制系统 2 — — — — —	12~13
CONTROL SYSTEM 2 — — — — —	12~13
水下装置壳体&驱动系统 1 — — — — —	14~16
LOWER CASING & DRIVE 1 — — — — —	14~16
水下装置壳体&驱动系统 2 — — — — —	17~18
LOWER CASING & DRIVE 2 — — — — —	17~18
电气 1 — — — — —	19~20
ELECTRICAL 1 — — — — —	19~20
电气 2 — — — — —	21~22
ELECTRICAL 2 — — — — —	21~22
进气系统 — — — — —	23~24
INTAKE — — — — —	23~24
气缸&曲轴箱 — — — — —	25~27
CYLINDER & CRANKCASE — — — — —	25~27
曲轴&活塞 — — — — —	28~29
CRANKSHAFT & PISTON — — — — —	28~29
起动机 — — — — —	30~31
STARTER — — — — —	30~31
化油器总成 — — — — —	32~34
CARBURETOR ASSY — — — — —	32~34
顶罩组件 — — — — —	35~36
TOP COWLING ASSY — — — — —	35~36
外燃油箱 — — — — —	37~38
OUTER FUEL TANK — — — — —	37~38
操控盒组件 — — — — —	39~41
CONTROL BOX ASSY — — — — —	39~41
发动机头总成(修理件) — — — — —	42~44
ENGINE ASSY (REPAIR KIT) — — — — —	42~44
附录1(修理件) — — — — —	45~46
APPENDIX 1 (REPAIR KIT) — — — — —	45~46
附录2(修理件) — — — — —	47~48
APPENDIX 2 (REPAIR KIT) — — — — —	47~48
零件目录检索表 — — — — —	I ~ IV
PARTS CATALOGUE INDEX — — — — —	I ~ IV

零部件名称: 托架

PARTS NAME: BRACKET



零部件名称:

托架

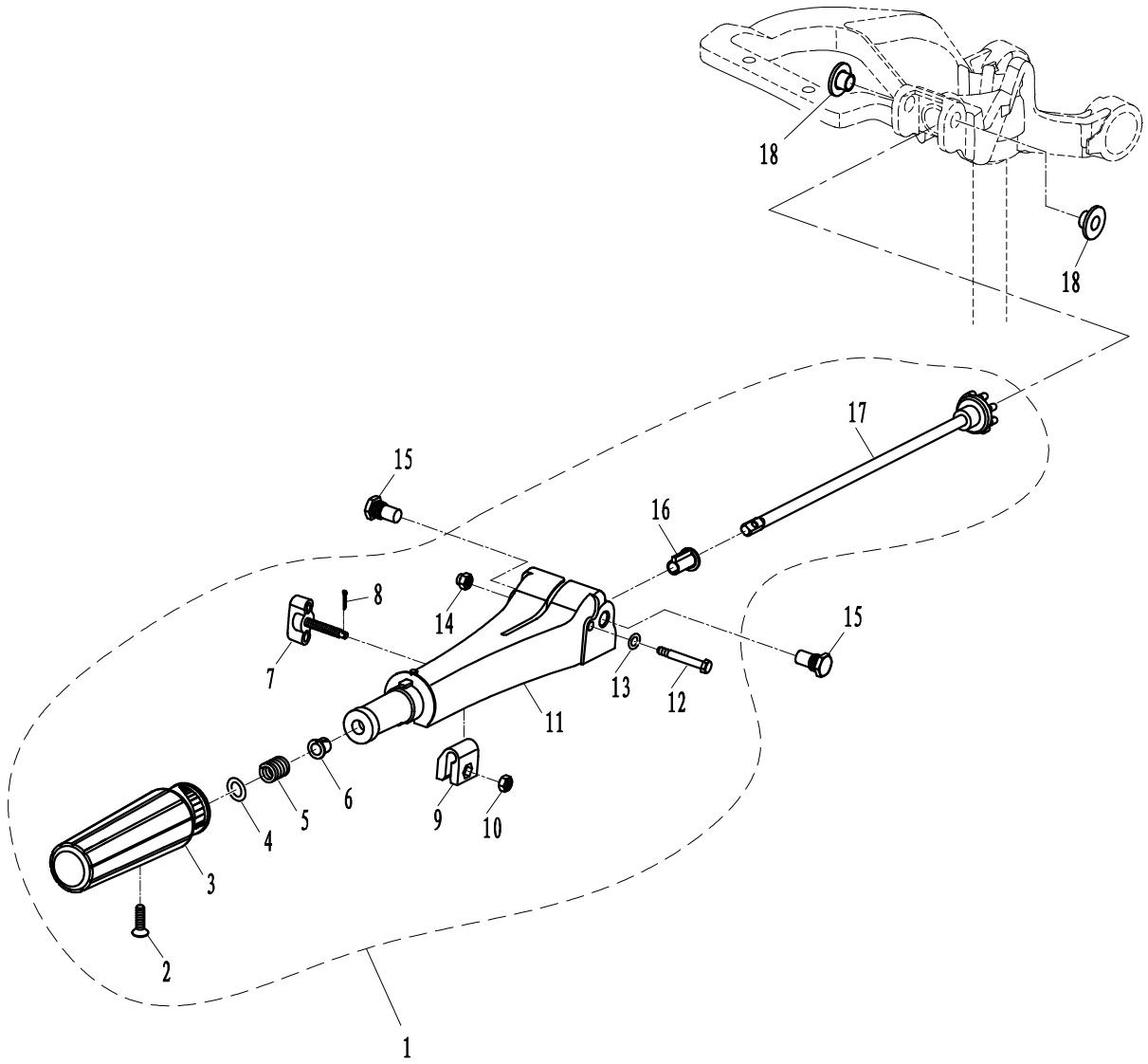
PARTS NAME:

BRACKET

SN. 参照号码	PART NO. 零件编号	DESCRIPTION 零件名称(中文)	DESCRIPTION 零件名称(英文)	QTY 数量					REMARKS 备注
1	F115-0000016	六角螺栓 M10x1.25x45	BOLT M10x1.25x45	2					
2	GB/T97.1-10	平垫圈 10	WASHER 10	2					
3	T18-0000002	减震器压板	PLATE, ABSORBER	2					
4	T18-01020100	托架减震器	ABSORBER, BRACKET	2					
5	T18-01020000	操舵托架组件	HELM BRACKET ASSY	1					
6	T18-00000001	橡胶减震垫	DAMPER WASHER, RUBBER	1					
7	T18-01020004	传动齿轮	DRIVEN GEAR	1					
8	T18-01010313	起翘固定螺钉	BOLT, TILT	1					
9	GB/T97.1-8	平垫圈 8	WASHER 8	5					
10	T18-01010315	手柄尼龙垫片	NYLON WASHER, HANDLE	1					
11	T18-01010312	起翘手柄	HANDLE, TILT	1					
12	T18-01010314	手柄尼龙衬套	NYLON BUSH, HANDLE	1					
13	GB/T96-6	大垫圈 6	BIG WASHER 6	1					
14	GB/T97.1-6	平垫圈 6	WASHER 6	5					
15	T18-00000008	接地导线A	TIGHTWIRE, EARTHING	3					
16	GB/T5783-M6x12	六角螺栓 M6x12	BOLT M6x12	4					
17	F8-01000001	旋转支架垫圈	WASHER, ROTARY BRACKET	2					
18	F8-01000002	旋转支架衬套	BUSH, ROTARY BRACKET	2					
19	F25-01010011	塑料装饰螺母	NUT, PLASTIC	2					
20	T18-01010500	双头螺管组件	SCREW TUBE ASSY	1					
21	GB/T6170-M6	六角螺母 M6	NUT M6	1					
22	T18-01010200	右夹紧托架组件	CLAMP BRACKET ASSY (RIGHT)	1					
23	F25-01010104	舰板夹紧螺杆	CLAMP SCREW	2					
24	F25-01010102	舰板夹紧手柄	CLAMP HANDLE, STERN	2					
25	F4-01010003	舰板夹紧圆盘	CLAMP PAD	2					
26	F25-01010103	舰板夹紧手柄铆钉	RIVET, CLAMP HANDLE	2					
27	T18-01010001	螺管尼龙衬套	BUSH, BOLT	2					
28	T18-01010301	旋转支架	ROTARY BRACKET	1					
29	F8-01000100	锁紧块组件	LOCKING BLOCK ASSY	1					
30	F8-01010102	锁紧弹簧	LOCK SPRING	1					
31	GB/T5783-M8x30	六角螺栓 M8x30	BOLT M8x30	1					
32	T6-01010200	接地钢索	TIGHTWIRE, EARTHING	1					
33	T18-01010100	左夹紧托架组件	CLAMP BRACKET ASSY (LEFT)	1					
34	F15-01010007	托架夹紧螺母	CLAMP NUT, BRACKET	1					
35	JB/T7940.1-M6	直通式压注油杯M6	OILER CUP M6	3					
36	T18-01010002	螺栓套管	TUBE, BOLT	1					
37	T18-01010402	锥形弹簧	CONICAL SPRING	1					
38	T18-01010400	角度限位杆组件	LIMITATIVE ROD ASSY	1					
39	GB/T5782-M6x155	六角螺栓 M6x155	BOLT M6x155	1					
40	T18-00000007	减震块阳极	ANODE	2					
41	GB/T9074.14-M6x20	六角螺栓平垫组合 M6x20	BOLT M6x20	2					
42	GB/T5782-M8x85	六角螺栓 M8x85	BOLT M8x85	1					
43	GB/T5782-M8x55	六角螺栓 M8x55	BOLT M8x55	1					

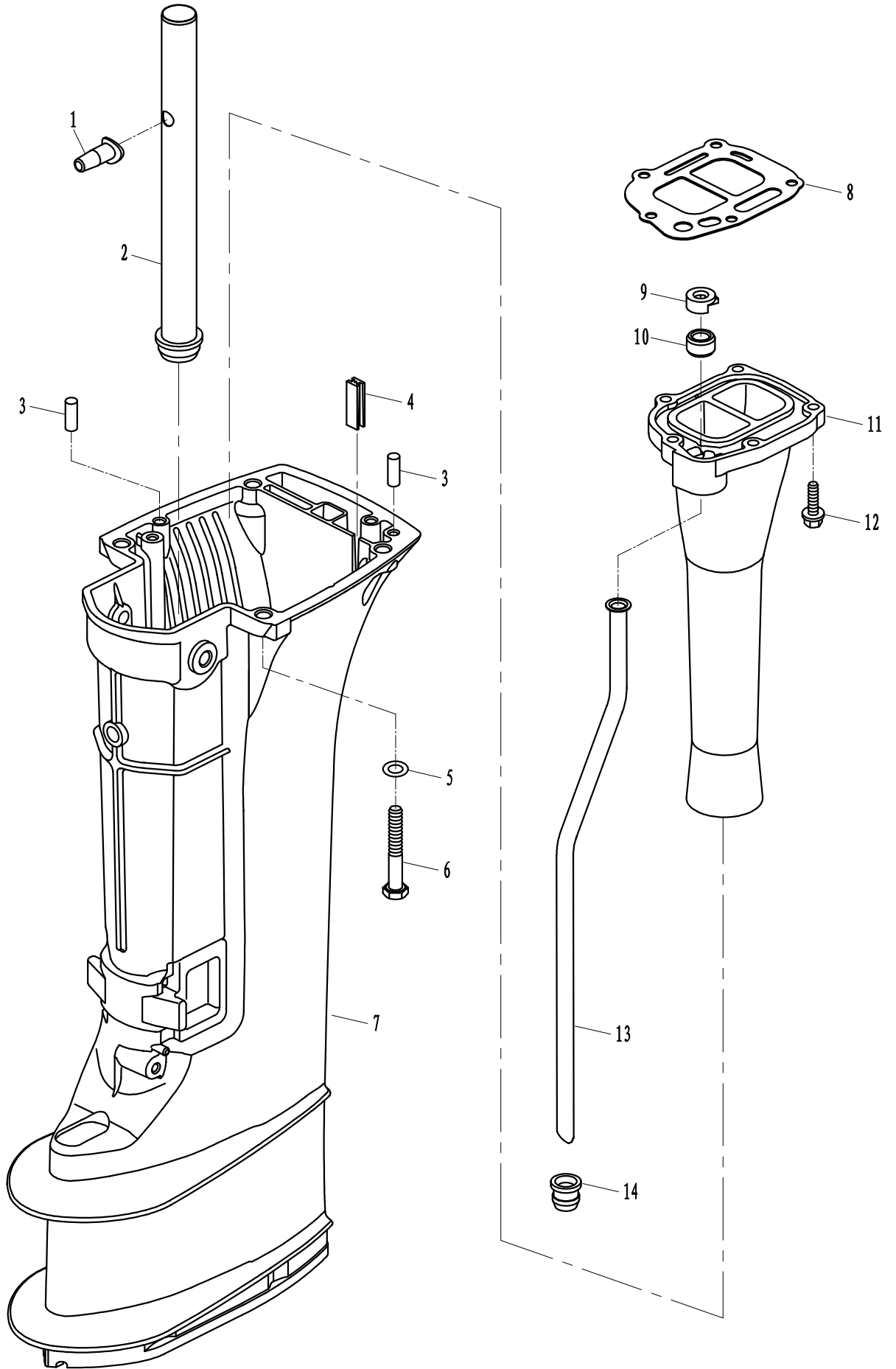
零部件名称: 操舵系统

PARTS NAME: STEERING



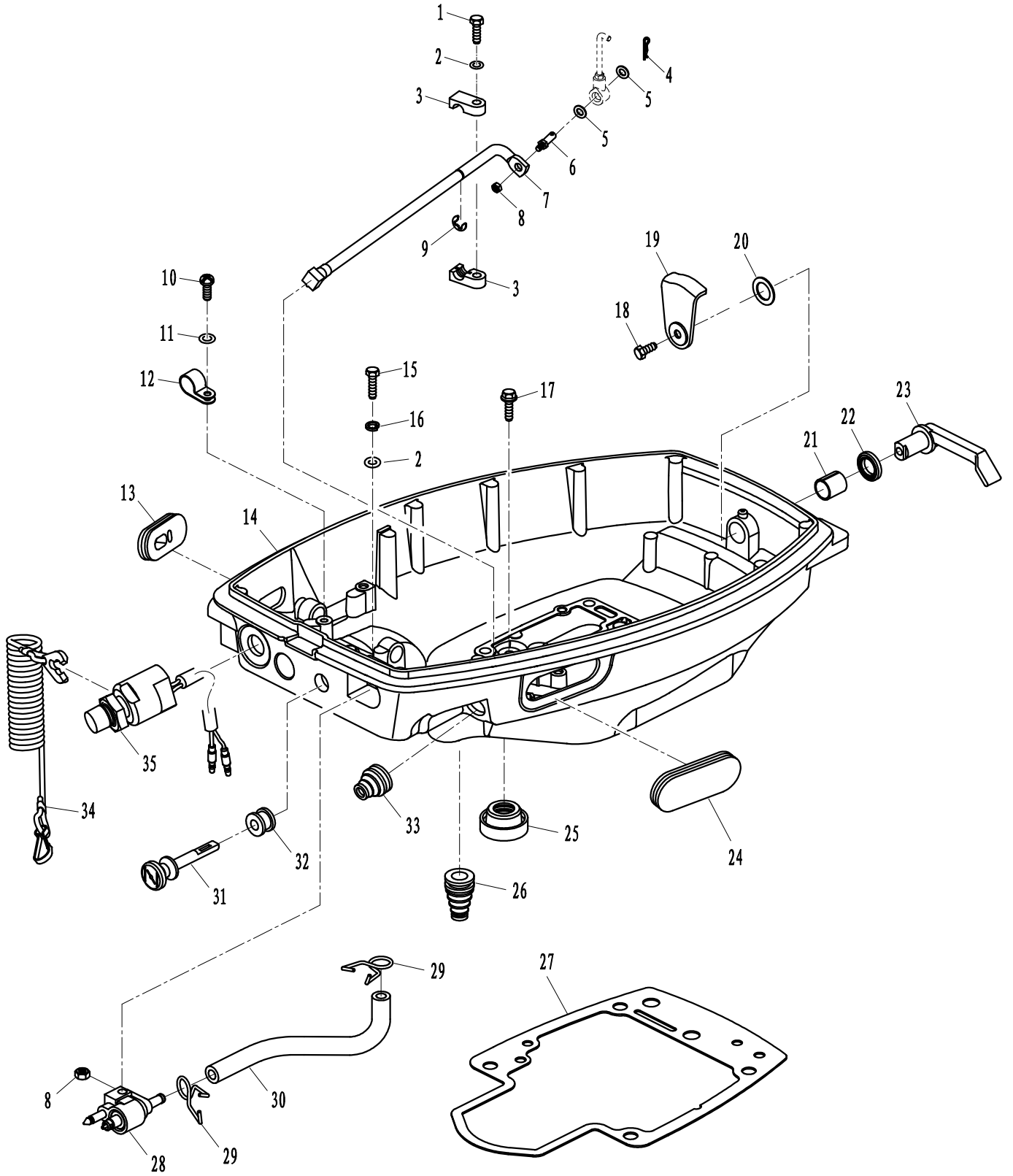
零部件名称: 水上装置壳体

PARTS NAME: UPPER CASING



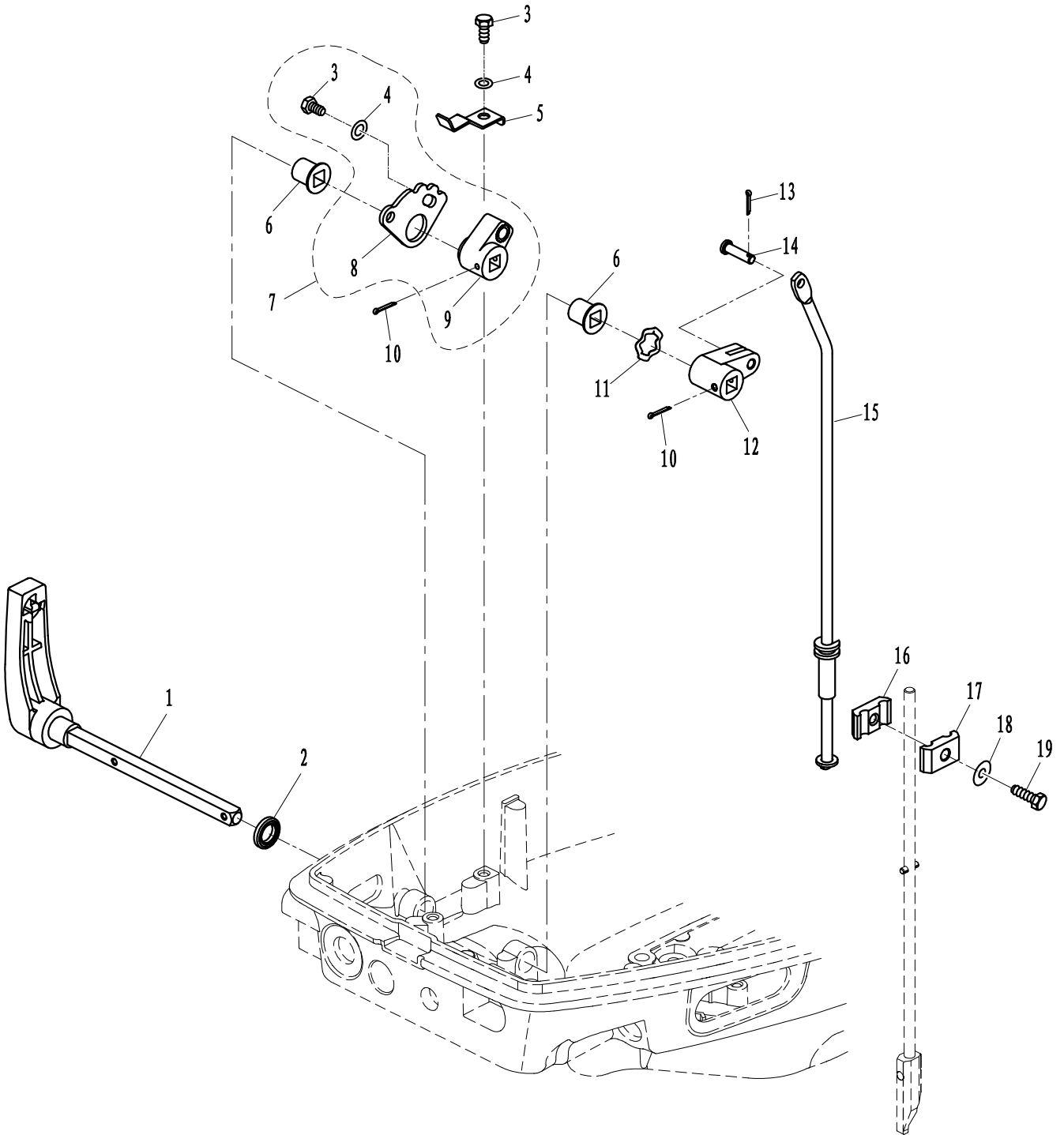
零部件名称: 底罩

PARTS NAME: BOTTOM COWLING



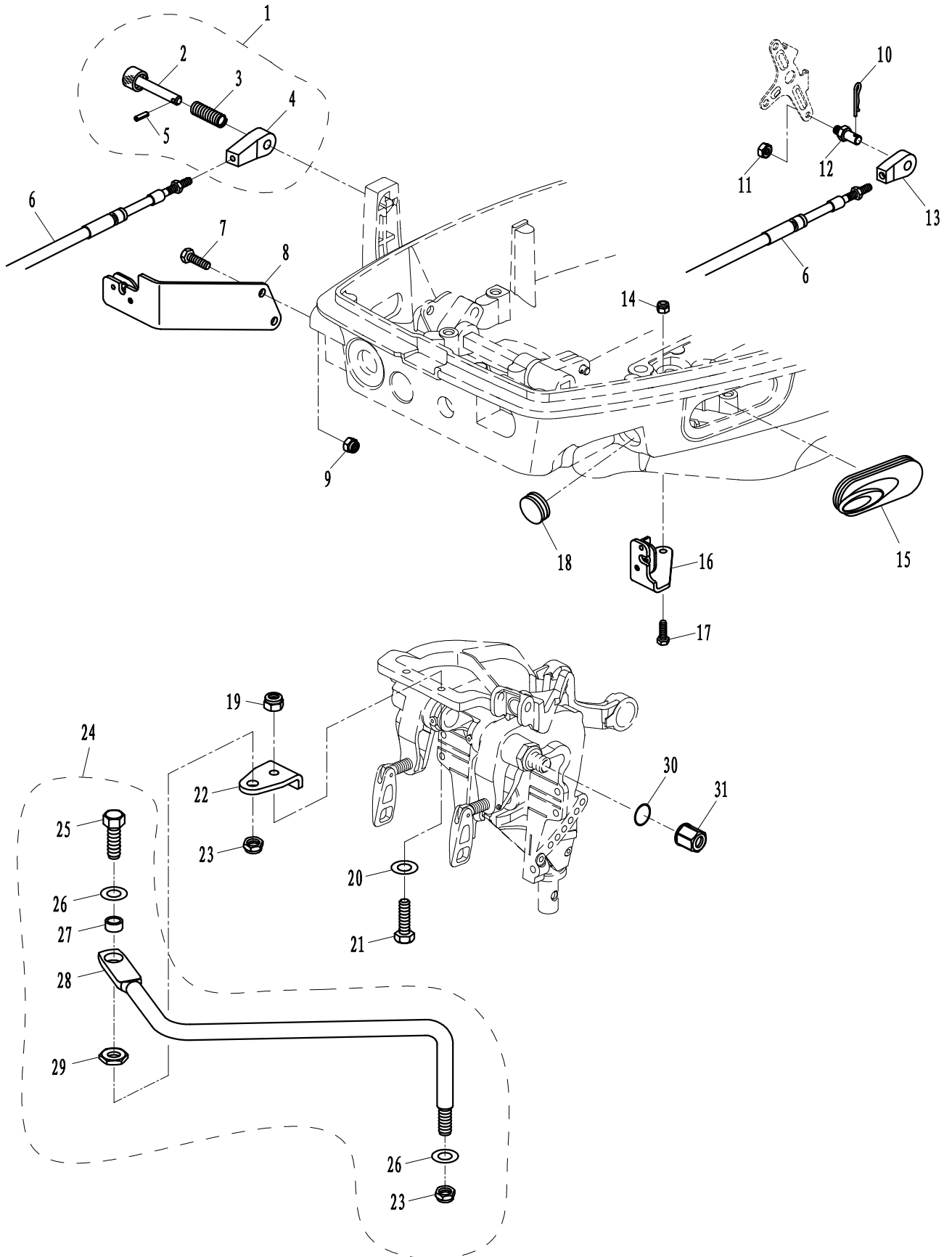
零部件名称: 控制系统 1

PARTS NAME: CONTROL SYSTEM 1

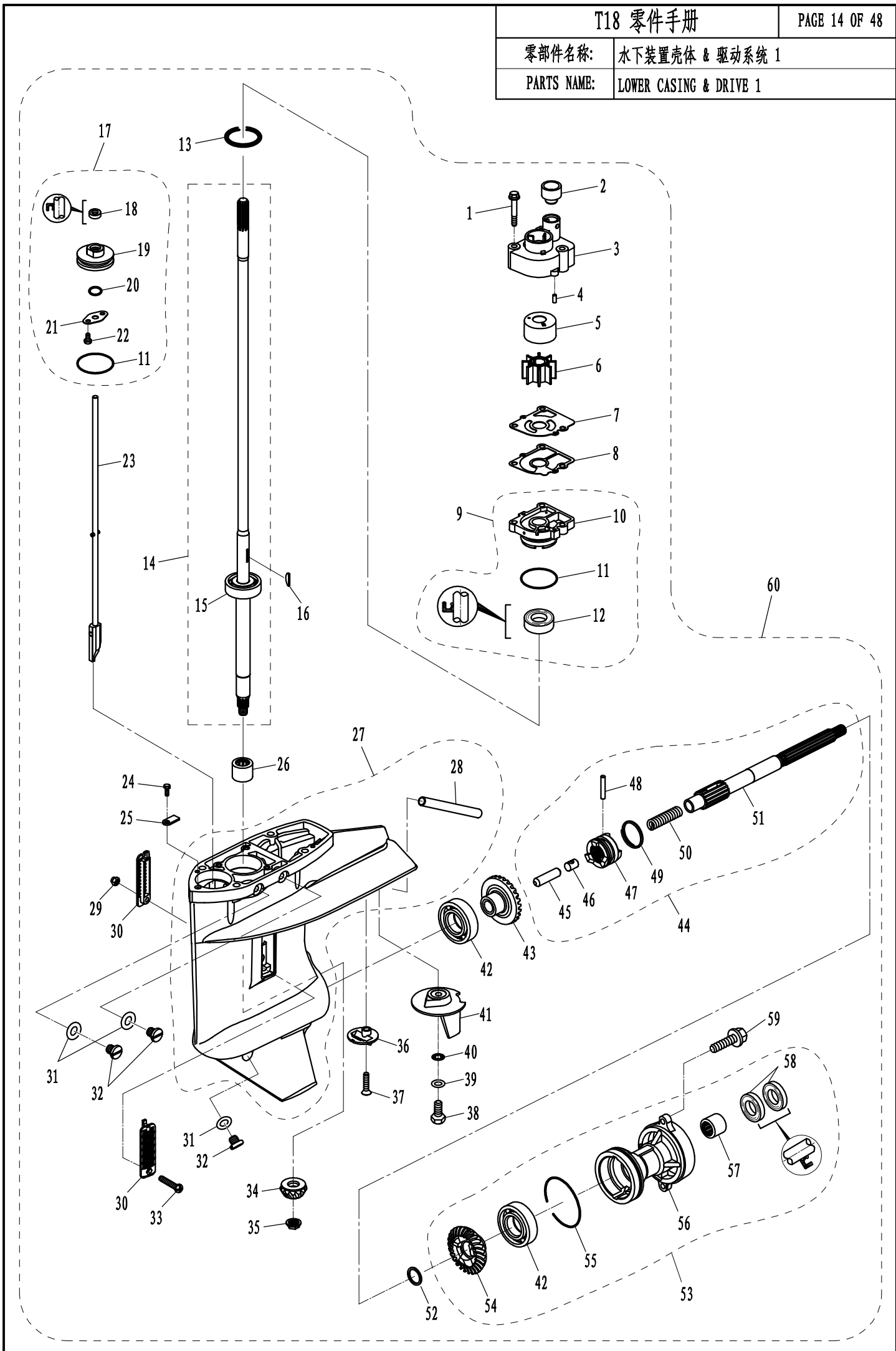


零部件名称: 控制系统 2

PARTS NAME: CONTROL SYSTEM 2



零部件名称:	水下装置壳体 & 驱动系统 1
PARTS NAME:	LOWER CASING & DRIVE 1



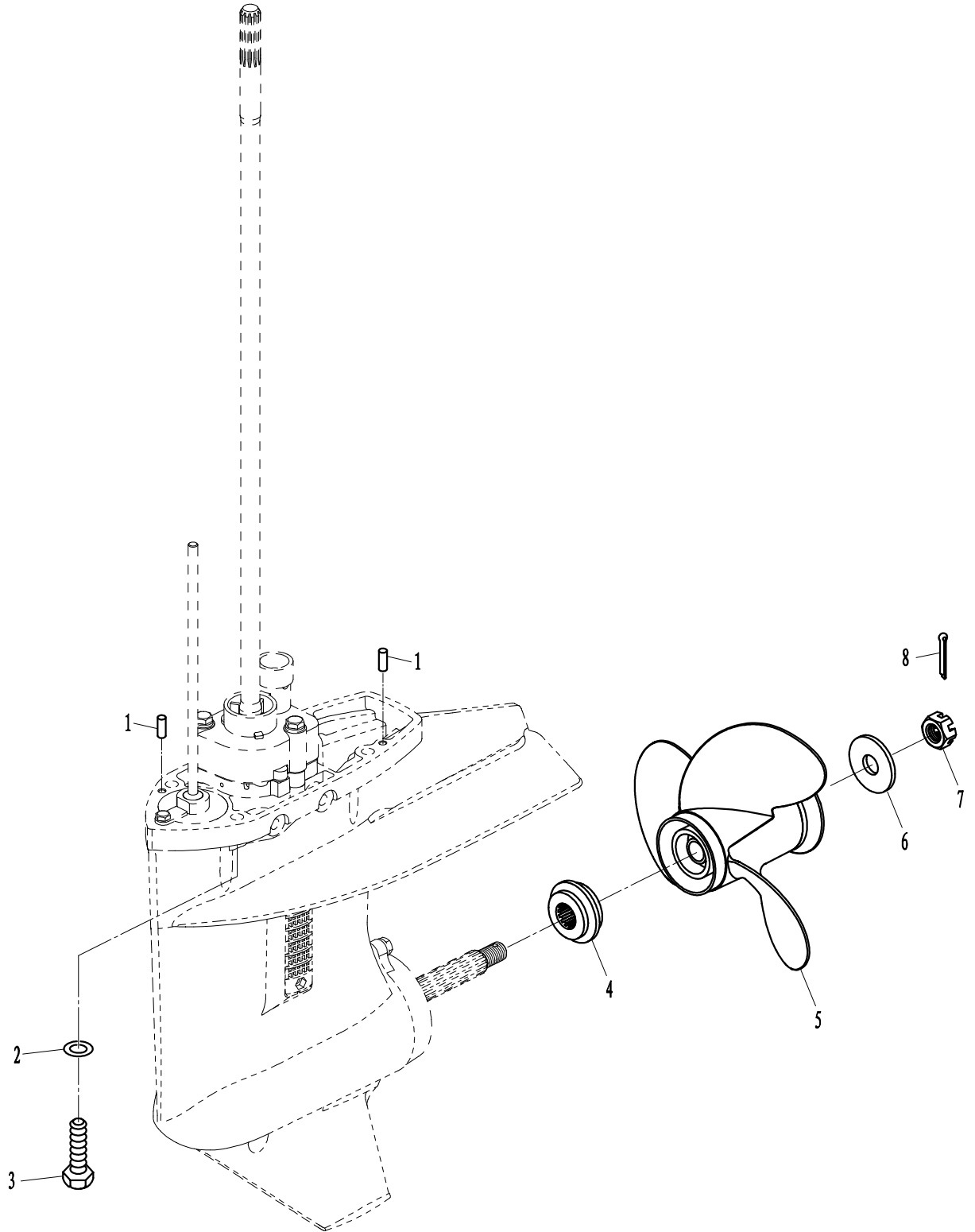
零部件名称: 水下装置壳体 & 驱动系统 1

PARTS NAME: LOWER CASING & DRIVE 1

SN. 参照号码	PART NO. 零件编号	DESCRIPTION 零件名称(中文)	DESCRIPTION 零件名称(英文)	QTY 数量					REMARKS 备注
1	GB/T9074.14-M6x55	六角螺栓平垫组合 M6x55	BOLT M6x55	3					
2	T18-04000303	泵壳导向套	BUSH, WATER PUMP	1					
3	T18-04000301	水泵壳体	HOUSING, WATER PUMP	1					
4	F25-04000007	定位销 4x10	DOWEL PIN 4x10	2					
5	T18-04000302	水泵内壳	INNER SHELL, WATER PUMP	1					
6	T18-04000200	水泵叶轮组件	IMPELLER, WATER PUMP	1					
7	T18-04000005	外挡板	OUTER PLATE	1					
8	T18-04000006	外挡板密封垫	GASKET, OUTER PLATE	1					
9	T18-04020000	驱动轴座组件	BASE ASSY, DRIVE SHAFT	1					
10	T18-04020001	驱动轴座	BASE, DRIVE SHAFT	1					
11	GB/T3452.1-3.55x35	O型密封圈 3.55x35	O-RING 3.55x35	2					
12	T18-04020002	驱动轴油封 13.8x26x9.5	OIL SEAL 13.8x26x9.5	1					
13	F20-04000005-3E	填隙片 0.3mm	SHIM 0.3mm	1					
14	T18-04010000L	驱动轴组件(长轴)	DRIVE SHAFT ASSY L	1					
	T18-04010000S	驱动轴组件(短轴)	DRIVE SHAFT ASSY S						
15	GB/T276-6302	深沟球轴承 6302	BEARING 6302	1					
16	T18-04000007	半圆键	WOODRUFF KEYF	1					
17	T18-04000400	变档凸轮盖板组件	COVER PLATE ASSY, SHIFTING CAM	1					
18	T18-04000402	油封 6x12x3	OIL SEAL 6x12x3	1					
19	T18-04000401	变档凸轮盖板	COVER PLATE, SHIFTING CAM	1					
20	F15-06020004	O型密封圈	O-RING	1					
21	T18-04000404	O型圈压板	PLATE, O-RING	1					
22	GB/T818-M5x6	十字槽盘头螺钉M5x6	SCREW M5x6	2					
23	T18-04030000L	变档凸轮组件(长轴)	SHIFT CAM SHAFT ASSY L	1					
	T18-04030000S	变档凸轮组件(短轴)	SHIFT CAM SHAFT ASSY S						
24	GB/T5783-M5x10	六角螺栓 M5x10	BOLT M5x10	1					
25	T18-04000403	盖板压板	PLATE	1					
26	IKO TA1620Z	滚针轴承 TA1620Z	NEEDLE BEARING TA1620Z	1					
27	T18-04000010	水下装置壳体组件	LOWER CASING ASSY	1					
28	T18-04000012	进水管B	WATER PIPE B	1					
29	GB/T998.1-M4	非金属嵌件六角锁紧螺母M4	LOCKNUT M4	1					
30	F20-04000002E	进水口	WATER INLET	2					
31	F4-03000024	注油孔螺塞垫	GASKET, SCREW PLUG	3					
32	F4-03000023	注油孔螺塞	SCREW PLUG	3					
33	GB/T818-M4x30	十字槽小盘头螺钉 M4x30	SCREW M4x30	1					
34	F20-04000007E	小齿轮(24/13)	PINION	1					
	T18-04000002	小齿轮(28/13)	PINION						
35	T18-04000003	小齿轮螺母	NUT, PINION	1					
36	T5-03000016	进水口	WATER INLET	1					
37	GB/T820-M6x20	十字槽半沉头螺钉 M6x20	SCREW M6x20	1					
38	GB/T5783-M6x20	六角螺栓 M6x20	BOLT M6x20	1					
39	GB/T97.1-6	平垫圈 6	WASHER 6	1					
40	GB/T861.1-6	内齿锁紧垫圈 6	LOCKING WASHER 6	1					

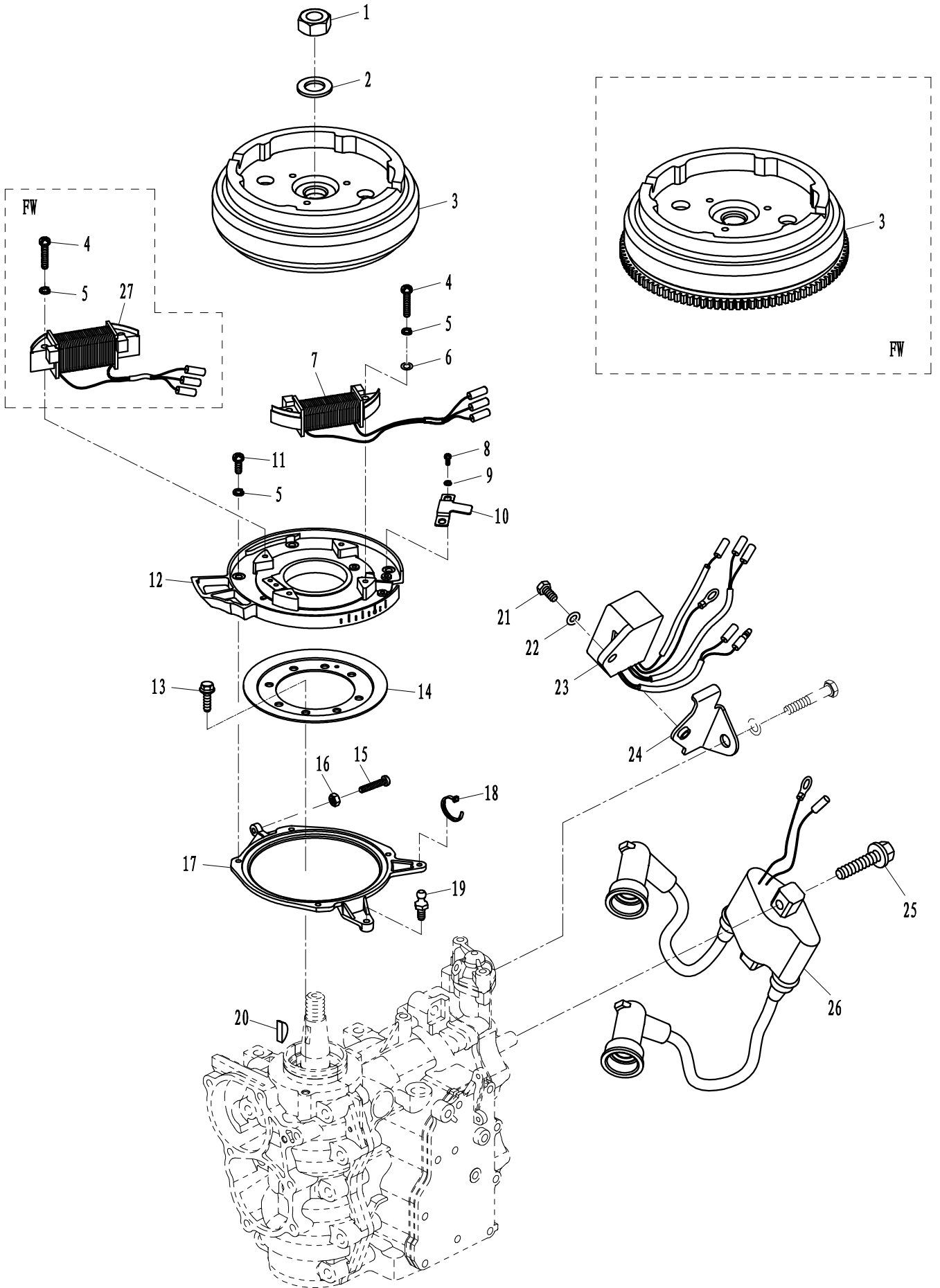
零部件名称: 水下装置壳体 & 驱动系统 2

PARTS NAME: LOWER CASING & DRIVE 2



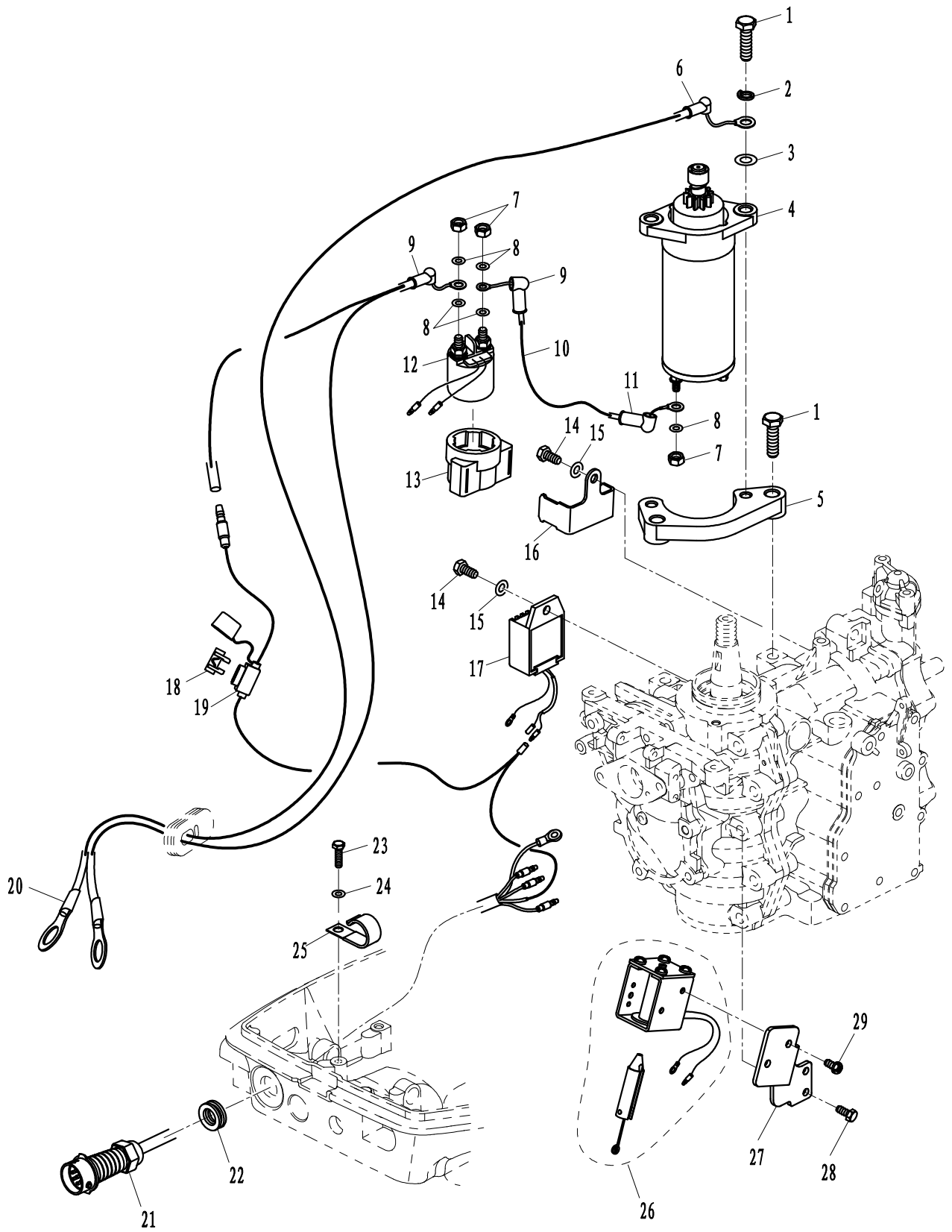
零部件名称: 电气 1

PARTS NAME: ELECTRICAL 1



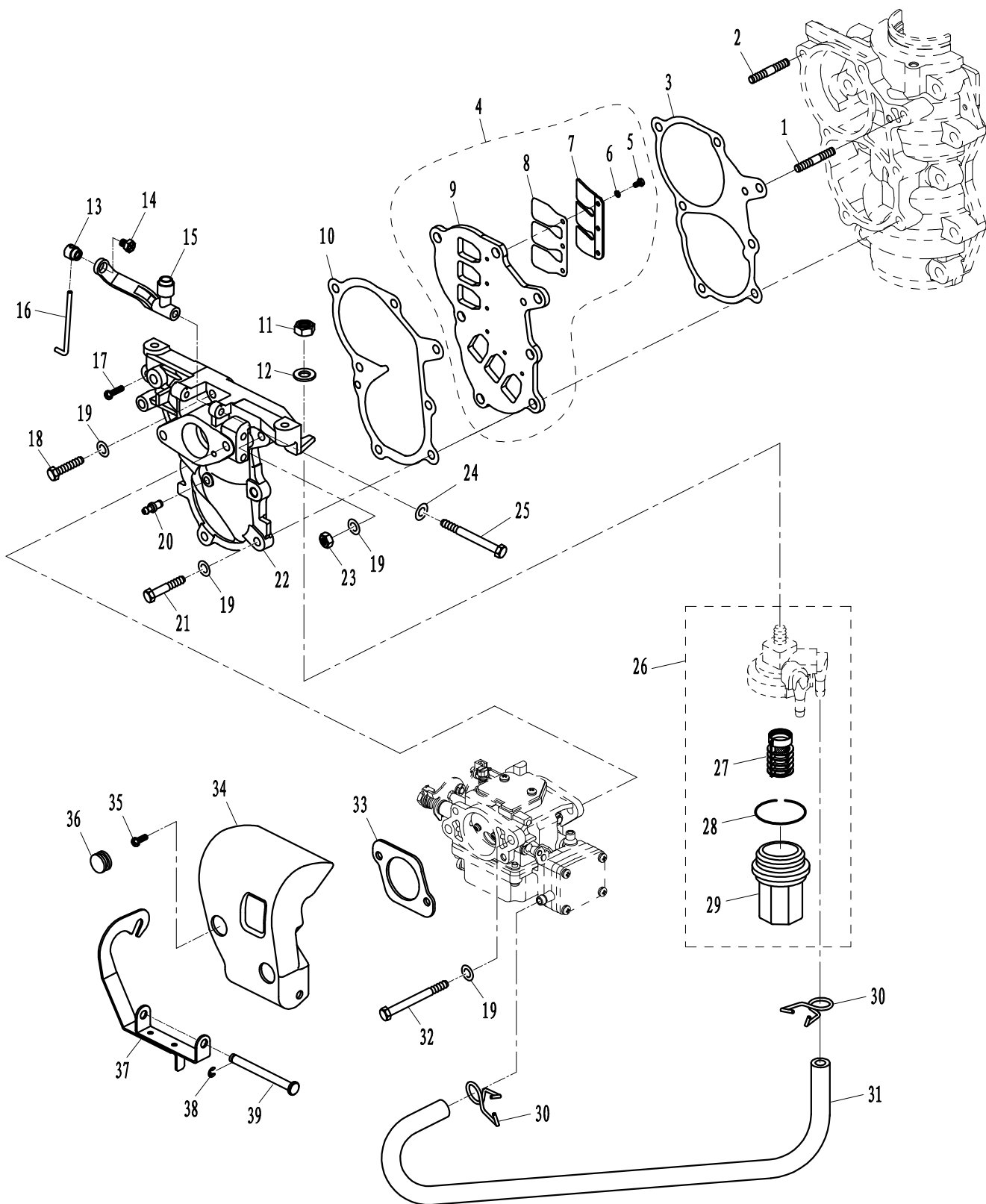
零部件名称: 电气 2

PARTS NAME: ELECTRICAL 2



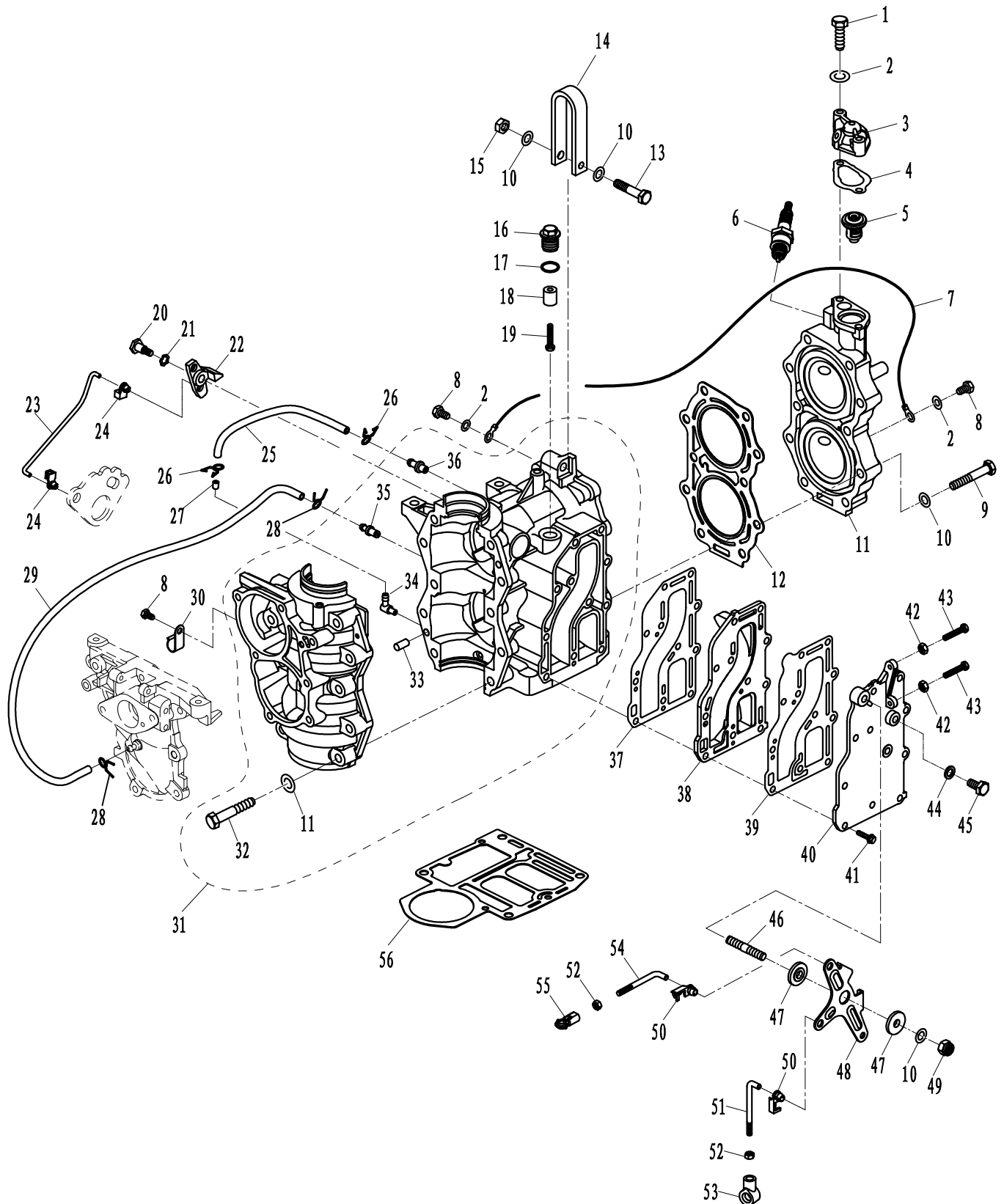
零部件名称: 进气系统

PARTS NAME: INTAKE



零部件名称: 气缸 & 曲轴箱

PARTS NAME: CYLINDER & CRANKCASE



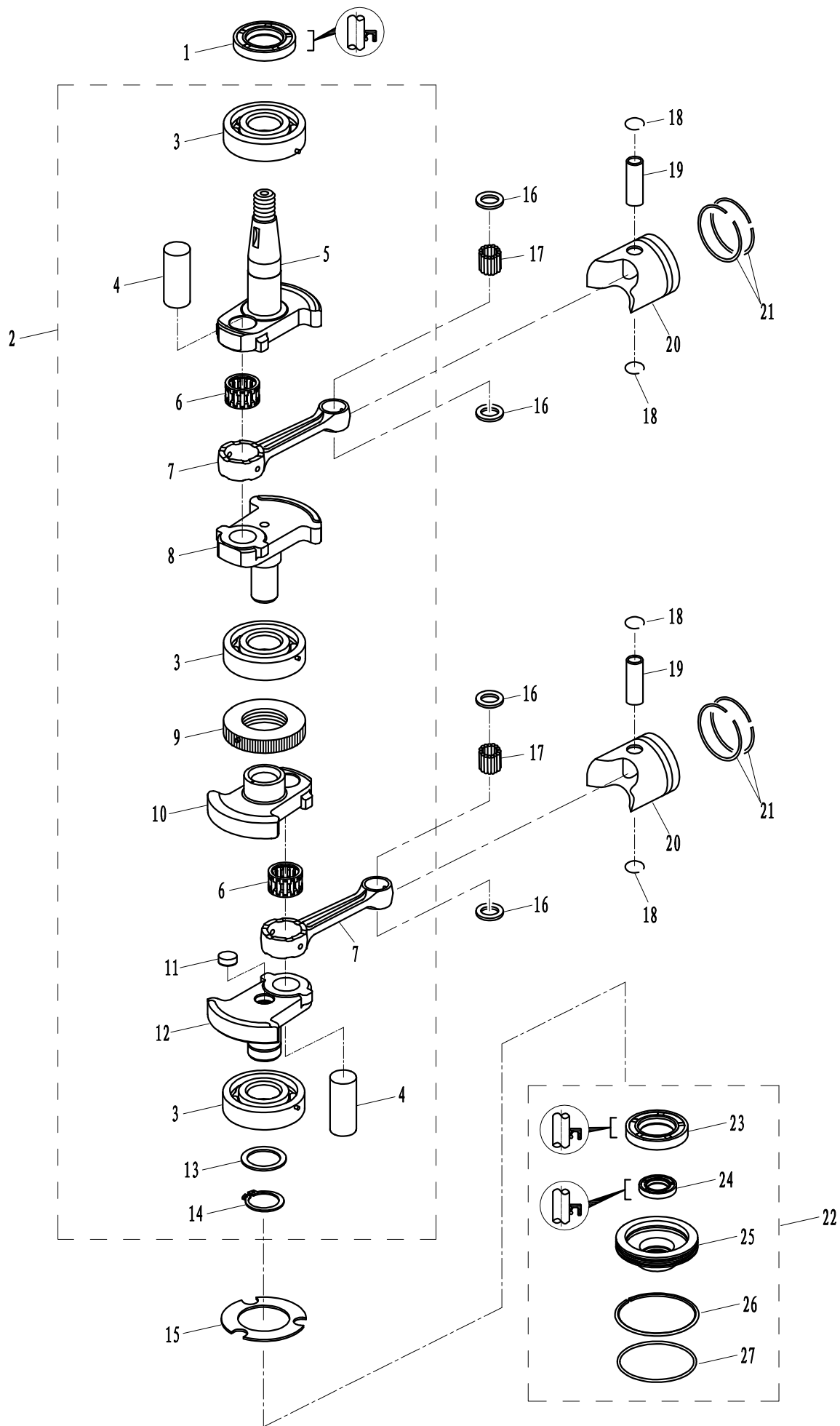
零部件名称: 气缸 & 曲轴箱

PARTS NAME: CYLINDER & CRANKCASE

SN. 参照号码	PART NO. 零件编号	DESCRIPTION 零件名称(中文)	DESCRIPTION 零件名称(英文)	QTY 数量					REMARKS 备注
1	GB/T5782-M6x30	六角螺栓 M6x30	BOLT M6x30	2					
2	GB/T97.1-6	平垫圈 6	WASHER 6	4					
3	T18-05000007	节温器盖	COVER, THERMOSTAT	1					
4	T18-05000008	节温器盖密封垫	GASKET, THERMOSTAT COVER	1					
5	T18-05000006	节温器	THERMOSTAT	1					
6	B7HS 10	火花塞	SPARK PLUG	1					
7	T18-05000038	接地导线	TIGHTWIRE, EARTHING	1					
8	GB/T5783-M6x12	六角螺栓 M6x12	BOLT M6x12	3					
9	T60-05010001	六角螺栓 M8x40	BOLT M8x40	10					
10	GB/T97.1-8	平垫圈 8	WASHER 8	23					
11	T18-05000004	气缸盖	CYLINDER HEAD	1					
12	T18-05000003	缸头复合垫	GASKET, CYLINDER HEAD	1					
13	GB/T5782-M8x45	六角螺栓 M8x45	BOLT M8x45	1					
14	T36-04000025	发动机悬挂钩	POTHOOK, ENGINE	1					
15	GB/T6170-M8	六角螺母 M8	NUT M8	1					
16	F20-05030009	阳极螺栓	BOLT, ANODE	1					
17	GB/T3452.1-13x2	O型圈 13x2	O-RING 13x2	1					
18	F4-04070003	节温器盖阳极	ANODE, THERMOSTAT	1					
19	GB/T818-M5x25	十字槽盘头螺钉M5x25	SCREW M5x25	1					
20	T18-05000014	扁六角轴位螺钉	BOLT	1					
21	T18-05000015	波形垫圈	WAVE WASHER	1					
22	T18-05000013	变档摇臂	ROCKER ARM, SHIFT	1					
23	T18-03000013	变档连接杆A	SHIFTER ROD A	1					
24	T5-05040010	连杆接头	TIE-IN, LINK	2					
25	T18-05000026	回油管B(4x8x210)	PIPE B	1					
26	T6-05000019	油管夹簧	CLIP, PIPE	2					
27	T6-05000300	单向阀组件	CHECK VALVE ASSY	1					
28	T15-04000013	油管夹簧C	CLIP C, PIPE	2					
29	T18-05000025	回油管A(2.5x7x250)	PIPE A	1					
30	T36-04000023	线卡	CLIP	1					BM
31	T18-05010000	机体机座组件	CRANKCASE ASSY	1					
32	T20-06010003	六角螺栓 M8x45	BOLT M8x45	10					
33	F15-00000006	定位销 6x12	DOWEL PIN 6x12	2					
34	T6-05010102	气嘴组件	AIR TAP ASSY	1					
35	T18-05010103	气嘴	AIR TAP	1					
36	T6-05010103	回油嘴	OIL TAP	1					
37	T18-05000009	排气盖板垫A	GASKET A, EXHAUST COVER	1					
38	T18-05000010	排气内盖	INNER COVER, EXHAUST	1					
39	T18-05000011	排气盖板垫B	GASKET B, EXHAUST COVER	1					
40	T18-05000012	排气外盖	OUTER COVER, EXHAUST	1					
41	GB/T9074.14-M6x25	六角螺栓平垫组合 M6x25	BOLT M6x25	11					
42	GB/T6170-M5	六角螺母 M5	NUT M5	2					
43	GB/T818-M5x25	十字槽盘头螺钉 M5x25	SCREW M5x25	2					

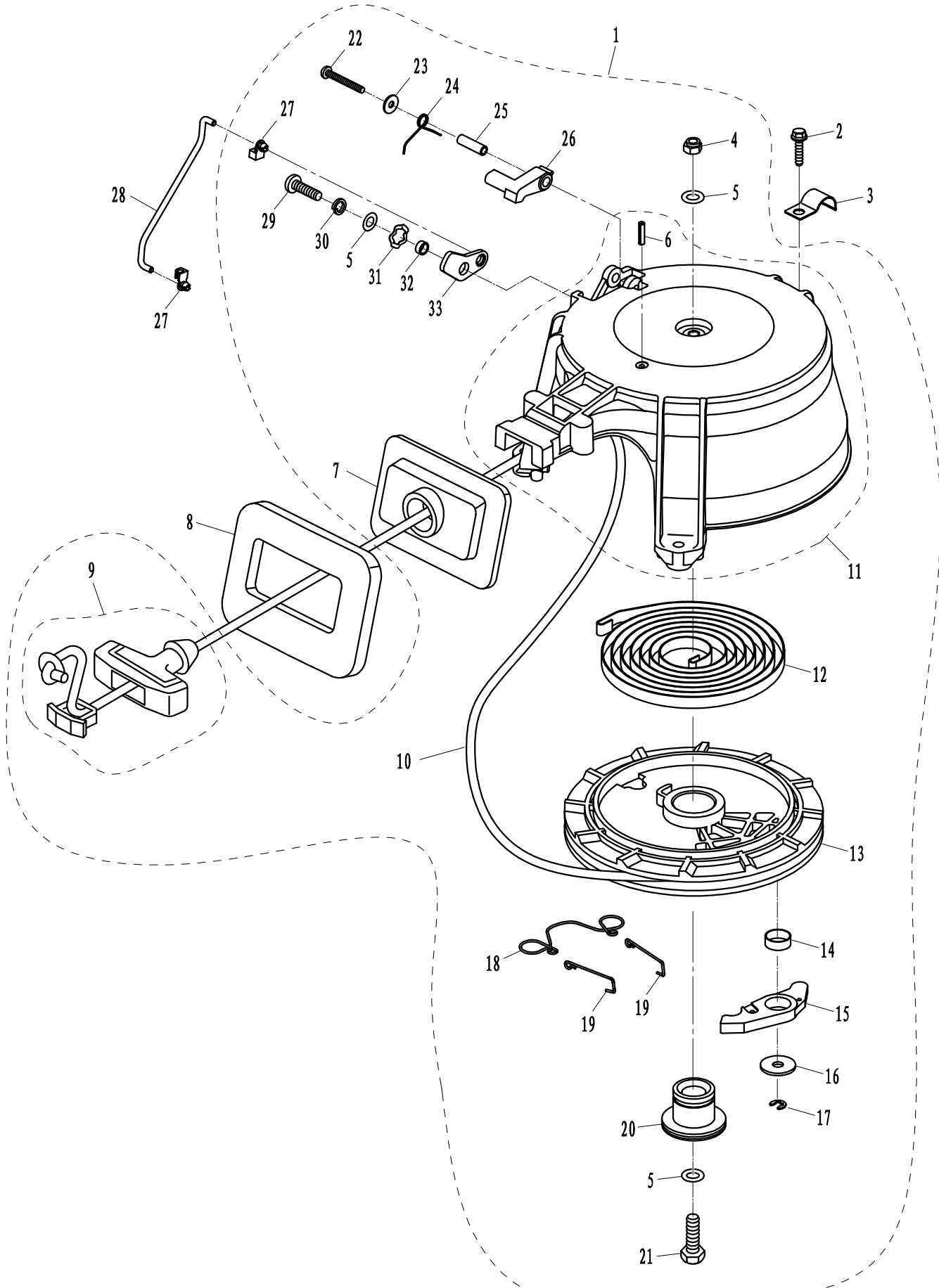
零部件名称: 曲轴 & 活塞

PARTS NAME: CRANKSHAFT & PISTON



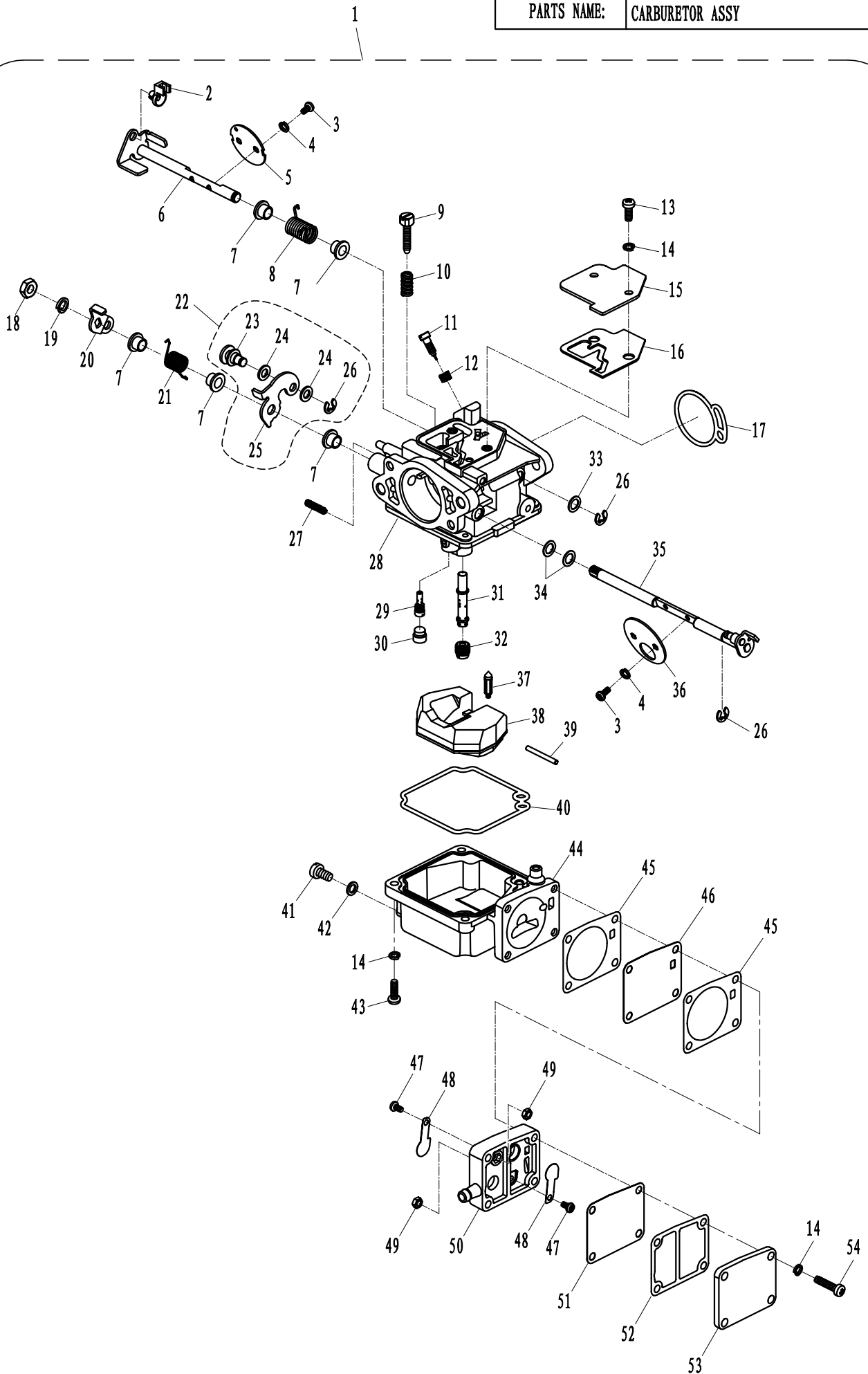
零部件名称: 起动机

PARTS NAME: STARTER



零部件名称: 化油器总成

PARTS NAME: CARBURETOR ASSY



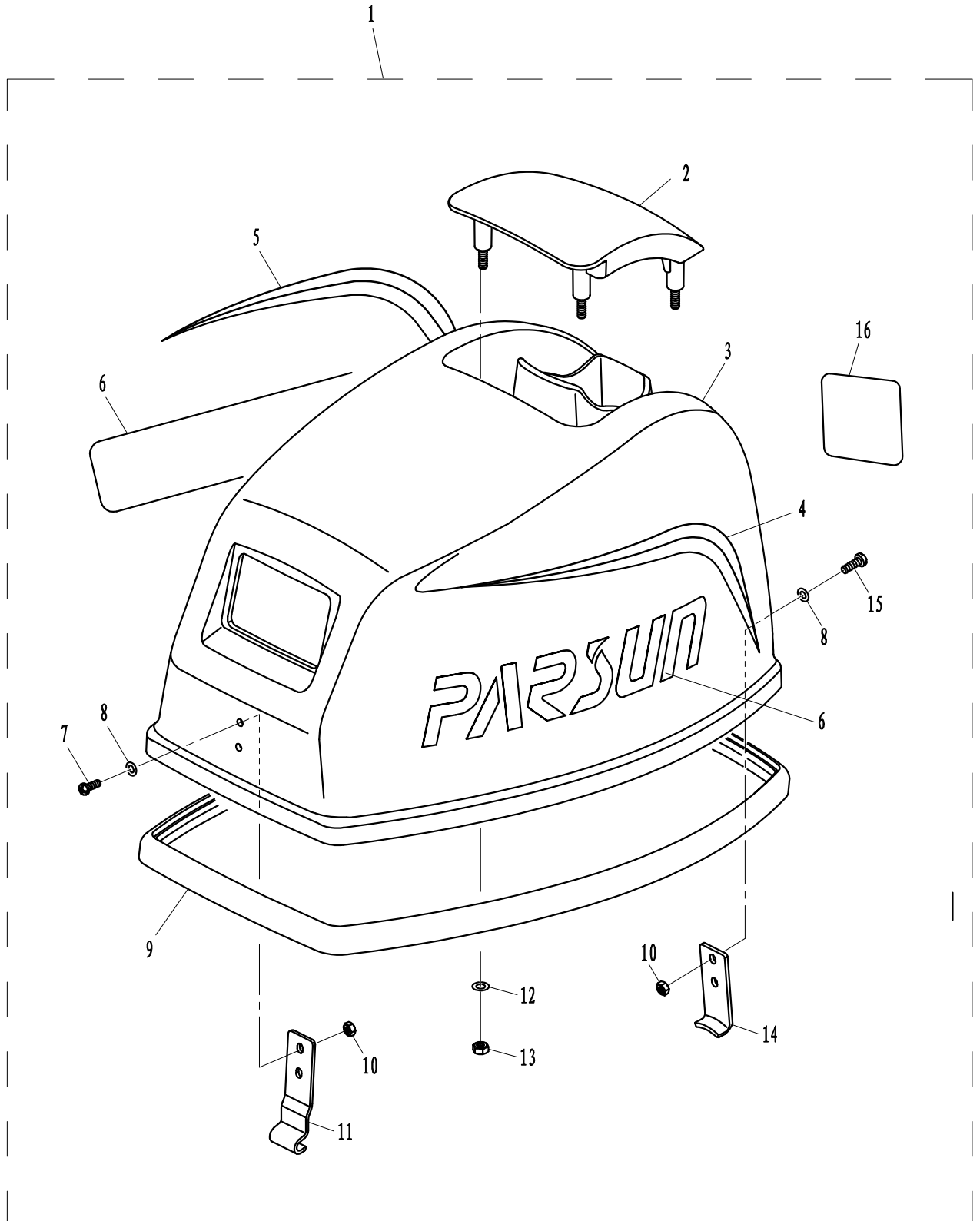
零部件名称: 化油器总成

PARTS NAME: CARBURETOR ASSY

SN. 参照号码	PART NO. 零件编号	DESCRIPTION 零件名称(中文)	DESCRIPTION 零件名称(英文)	QTY 数量					REMARKS 备注
1	T18-05000800	化油器总成	CARBURETOR ASSY	1					
2	T6-05000022	油门控制器连杆接头	JOIN	1					
3	GB/T818-M3x6	十字槽盘头螺钉 M3x6	SCREW M3x6	4					
4	GB/T93-3	弹簧垫圈 3	SPRING WASHER 3	4					
5	T18-05000808	油门挡板	APRON, ACCELATOR	1					
6	T18-05000804	油门摆杆组件	ACCELERATOR BAR ASSY	1					
7	T18-05000805	摆杆衬套	BUSH	5					
8	T18-05000806	油门摆杆扭簧	SPRING, SWING LINK	1					
9	T18-05000810	油门止动螺钉	SCREW	1					
10	T18-05000811	油门止动螺钉弹簧	SPRING	1					
11	T18-05000812	怠速螺钉	SCREW, AIR ADJUSTING	1					
12	T18-05000813	怠速螺钉弹簧	SPRING, AIR ADJUSTING	1					
13	GB/T818-M4x10	十字槽盘头螺钉 M4x10	SCREW M4x10	2					
14	GB/T93-4	弹簧垫圈 4	SPRING WASHER 4	10					
15	T18-05000803	面板	PLATE	1					
16	T18-05000802	衬垫	GASKET	1					
17	T18-05000809	橡胶密封圈	SEAL RING, RUBBER	1					
18	GB/T6172.1-M6	六角薄螺母 M6	THIN NUT M6	1					
19	GB/T93-6	弹簧垫圈 6	SPRING WASHER 6	1					
20	T18-05000818	阻风门摇臂B	ROCKER ARM B, CHOKE	1					
21	T18-05000817	阻风门扭簧	TORSIONAL SPRING, CHOKE	1					
22	T18-05000816	阻风门摇臂A组件	ROCKER ARM A ASSY, CHOKE	1					
23	T18-05000816-2	阻风门接头	JOIN, CHOKE	1					
24	T18-05000816-3	阻风门尼龙垫圈	NYLON WASHER, CHOKE	2					
25	T18-05000816-1	阻风门摇臂A	ROCKER ARM A, CHOKE	1					
26	GB/T896-4	开口挡圈 4	COLLAR 4	3					
27	T18-05000819	阻风门弹簧	SPRING, CHOKE	1					
28	T18-05000801	化油器本体	CARBURETOR BODY	1					
29	T18-05000823	减速量孔	JET, AIR ADJUSTING	1					
30	T18-05000824	橡胶堵塞	RUBBER PLUG	1					
31	T18-05000821	主喷嘴	NOZZLE, MAIN	1					
32	T18-05000822	主量孔	MAIN, JET	1					
33	T18-05000807	油门摆杆垫圈	WASHER, ACCELERATOR BAR	1					
34	T18-05000815	阻风门垫圈	WASHER, CHOKE	2					
35	T18-05000814	阻风门摆杆组件	SWING LINK ASSY, CHOKE	1					
36	T18-05000820	阻风门挡板	APRON, AIR CHOKE	1					
37	T18-05000825	针阀	NEEDLE VALVE	1					
38	T18-05000826	浮子	FLOAT	1					
39	T18-05000827	浮子销	PIN, FLOAT	1					
40	T18-05000828	油杯密封圈	GASKET, OIL CUP	1					
41	T18-05000830	放油螺钉	BOLT, DRAIN	1					
42	T18-05000831	螺钉垫片	GASKET, BOLT	1					
43	GB/T818-M4x16	十字槽盘头螺钉 M4x16	SCREW M4x16	4					

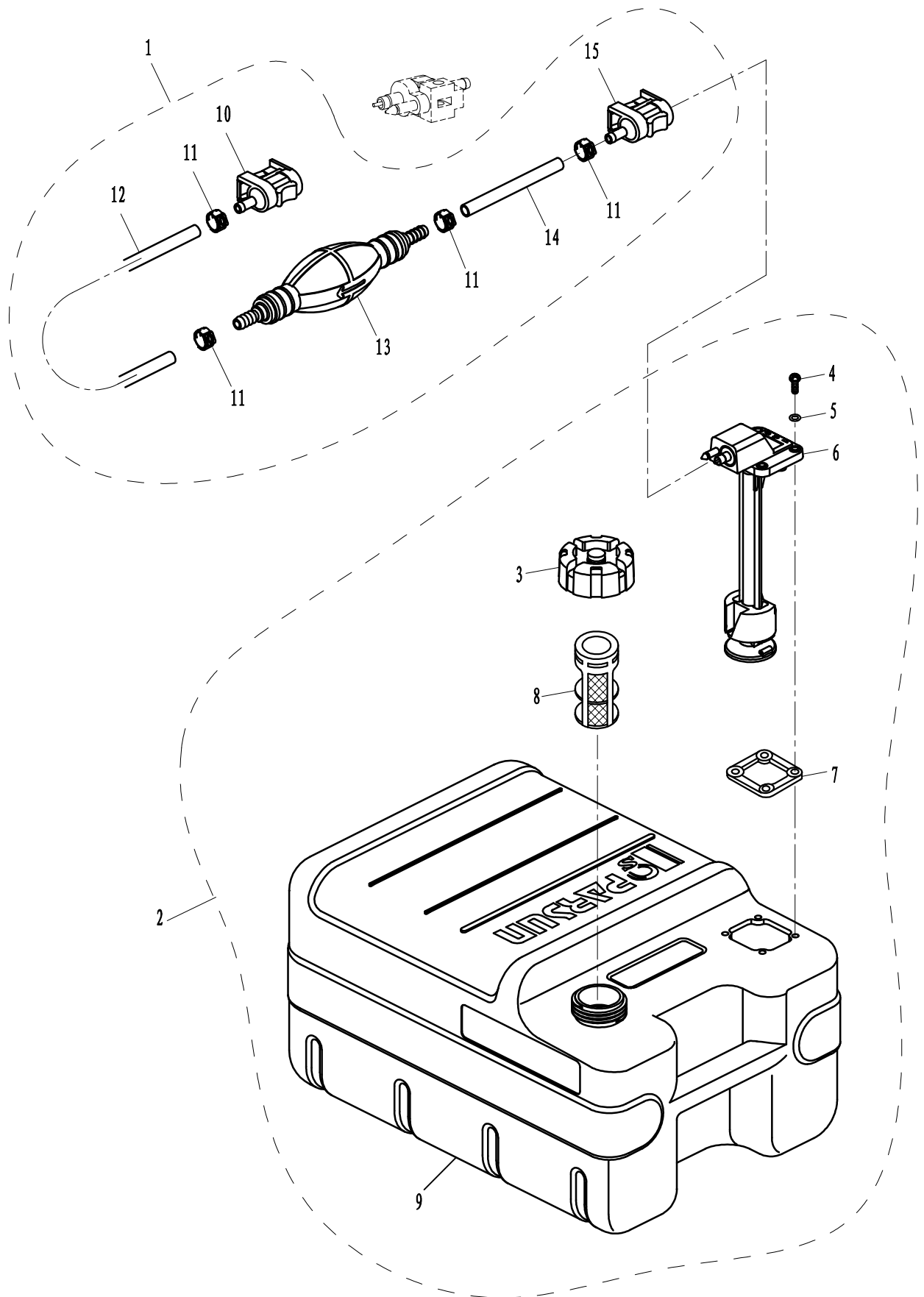
零部件名称: 顶罩组件

PARTS NAME: TOP COWLING ASSY



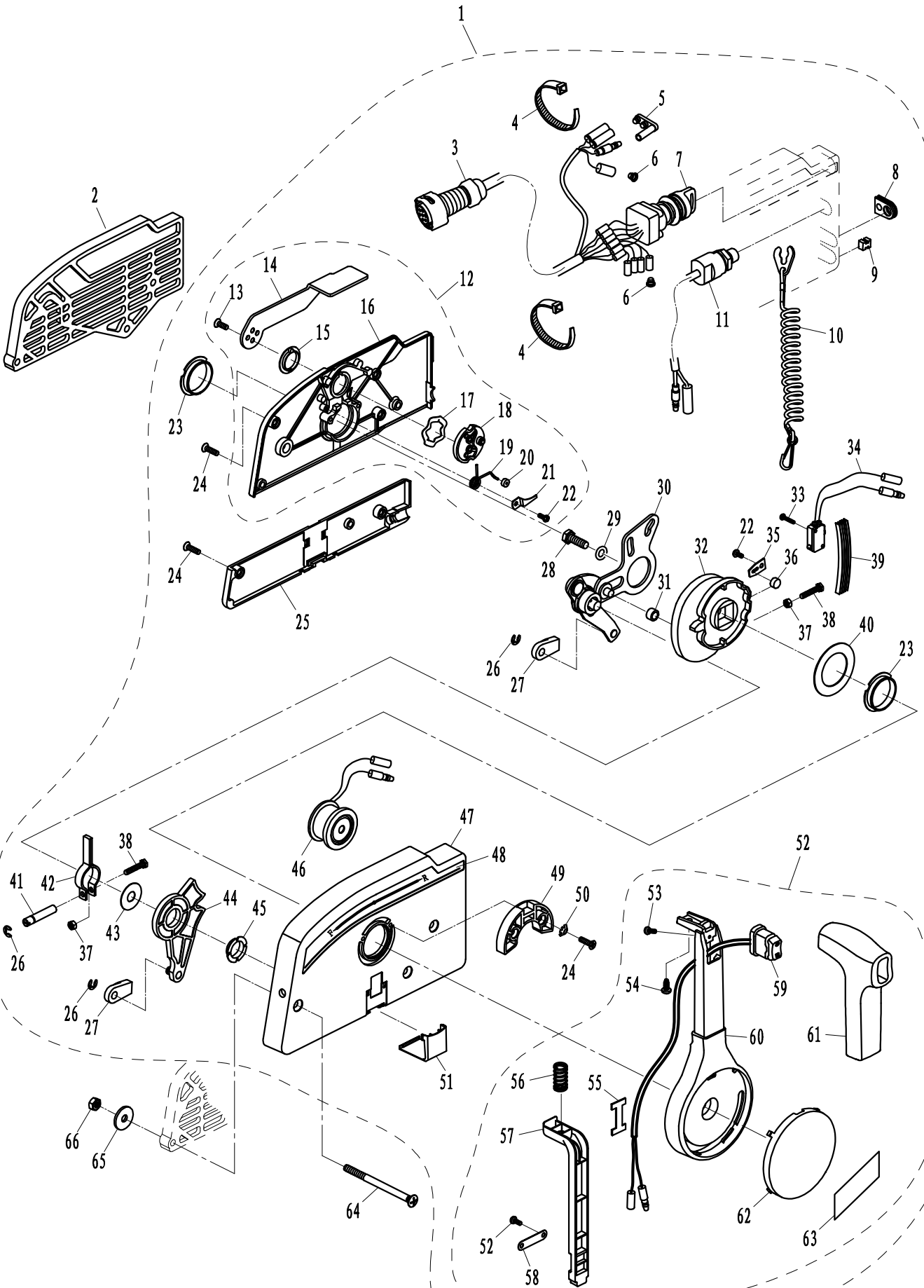
零部件名称: 外燃油箱 (24L)

PARTS NAME: OUTER FUEL TANK (24L)



零部件名称: 操纵盒组件

PARTS NAME: CONTROL BOX ASSY



零部件名称:

操纵盒组件

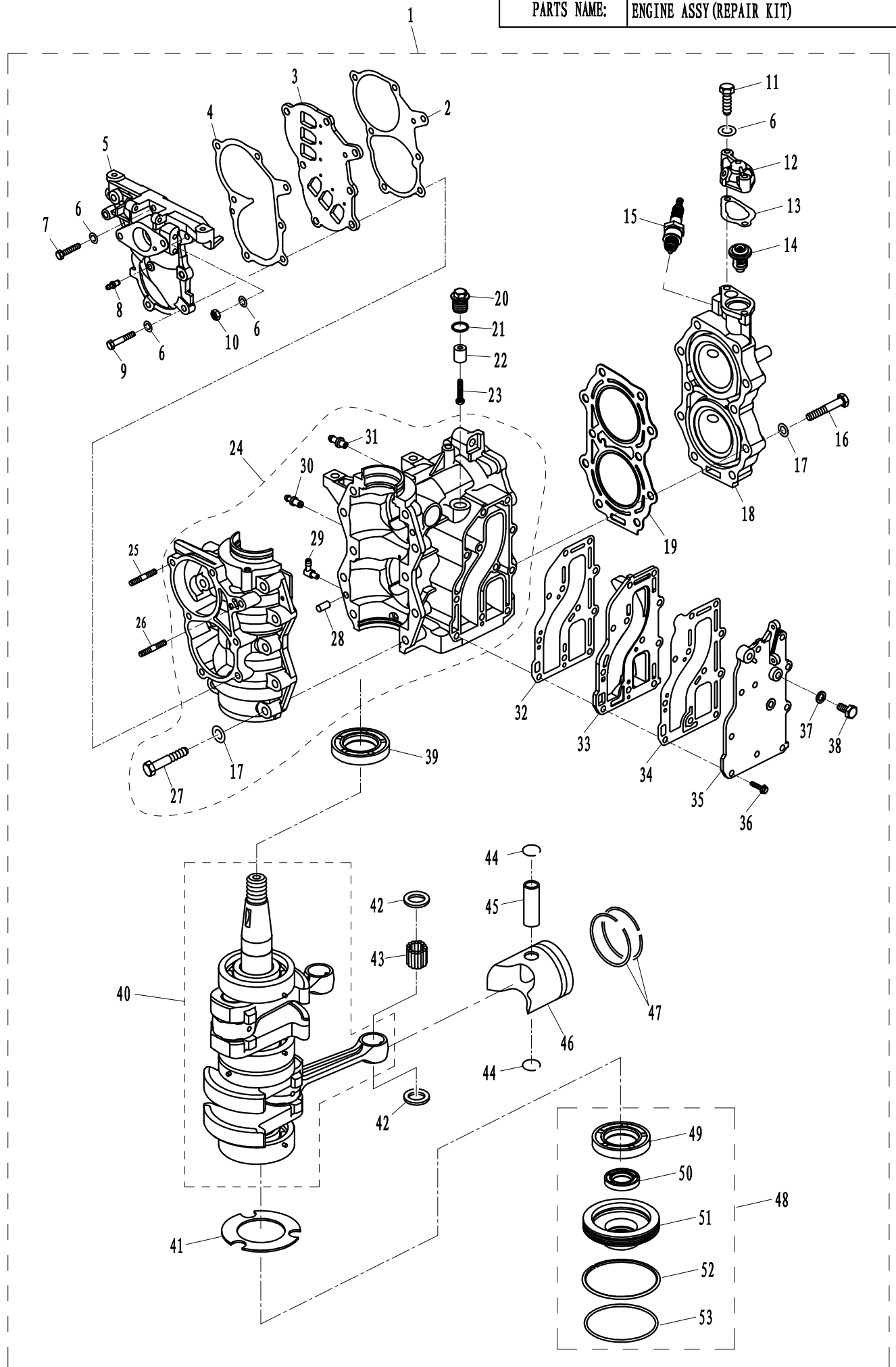
PARTS NAME:

CONTROL BOX ASSY

SN. 参照号码	PART NO. 零件编码	DESCRIPTION 零件名称 (中文)	DESCRIPTION 零件名称 (英文)	QTY 数量					REMARKS 备注
1	T20-1300000W	操纵盒组件	CONTROL BOX ASSY	1					
2	F15-11000002W	操纵盒安装板	PLATE, CONTROL BOX	1					
3	F15-13000100W	操纵线束组件	CONTROL CABLE	1					
4	HT2. 5x60	尼龙扎带	CLAMP	2					
5	F15-13000202W	绝缘堵头 A	INSULATED PLUG "A"	1					
6	F15-13000203W	绝缘堵头 B	INSULATED PLUG "B"	2					
7	F40-13000200EFI	起动开关组件	STARTING SWICH ASSY	1					
8	F15-13000014W	线索护套	JACKET, CABLE	1					
9	F15-11000001W	钢索橡胶垫块	BLOCK, RUBBER	1					
10	F4-01090401	引擎停止安全索	STOPER, HANG ROPE ASSY	1					
11	F15-13000400W	急停开关组件	ENGINE STOP SWICH ASSY	1					
12	F15-13020000W	操纵盒盖组件	COVER ASSY, CONTROL BOX	1					
13	GB/T819. 2-M5x12	十字槽沉头螺钉 M5x12	SCREW M5x12	2					
14	F15-13020007W	油门微调手柄	THROTTLE HANDLE, INCHING	1					
15	F15-13020006W	微调手柄衬套	BUSH, HANDLE	1					
16	F15-13020001W	操纵盒盖盖板	COVER, CONTROL BOX	1					
17	F15-13020005W	波形垫圈 B	WAVE WASHER B	1					
18	F15-13020100W	锁紧圆盘组件	LOCKED DISK ASSY	1					
19	F15-13020002W	扭簧	TORSION SPRING	1					
20	F15-13020003W	互锁滑轮	EACH LOCKED PULLEY	1					
21	F15-13020004W	滑轮弹簧压板	PLATE, PULLEY SPRING	1					
22	GB/T818-M4x6	十字槽盘头螺钉 M4x6	SCREW M4x6	2					
23	F15-13000005W	凸轮机构衬套	BUSH, CAM	2					
24	GB/T819. 2-M5x18	十字槽沉头螺钉 M5x18	SCREW M5x18	7					
25	F15-13000013W	操纵盒小盖板	SMALL COVER , CONTROL BOX	1					
26	GB/T896-6	开口挡圈 6	COLLAR 6	3					
27	F25-07000007W	操控钢索接头 B	CONTROL CABLE TIE-IN "B"	2					
28	GB/T5783-M8x30	六角螺栓 M8x30	BOLT M8x30	1					
29	GB/T97. 1-8	平垫圈 8	WASHER 8	1					
30	T20-13000500W	油门控制机构	MACHINE, CONTROL ACCELEROGRAPH	1					
31	F15-13000007W	销轴垫圈	WASHER	1					
32	F15-13000002W	凸轮机构	CAM MECHANISM	1					
33	GB/T818-M3x14	十字槽盘头螺钉M3x14	SCREW M3x14	2					
34	F15-13000800W	微动开关	INCHING SWITCH	1					
35	F15-13000003W	档位弹簧片压板	PLATE	1					
36	F15-13000004W	档位滑轮	PULLEY	1					
37	GB/T6170-M5	六角螺母 M5	NUT M5	2					
38	GB/T5783-M5x25	六角螺栓 M5x25	BOLT M5x25	2					
39	F15-13000001W	档位弹簧片 B	SHIFT SPRING PLATE "B"	5					
40	F15-13000008W	凸轮机构减磨片	WEARABLE PLATE , CAM MACHANISM	1					
41	F15-13000602W	调节器销轴	ADJUSTER PIN	1					
42	F15-13000601W	调节器固定板组件	ADJUSTER FASTNESS ASSY	1					
43	F15-13000006W	摆杆减磨片	WEARABLE PLATE	1					

零部件名称: 发动机头总成(维修件)

PARTS NAME: ENGINE ASSY (REPAIR KIT)



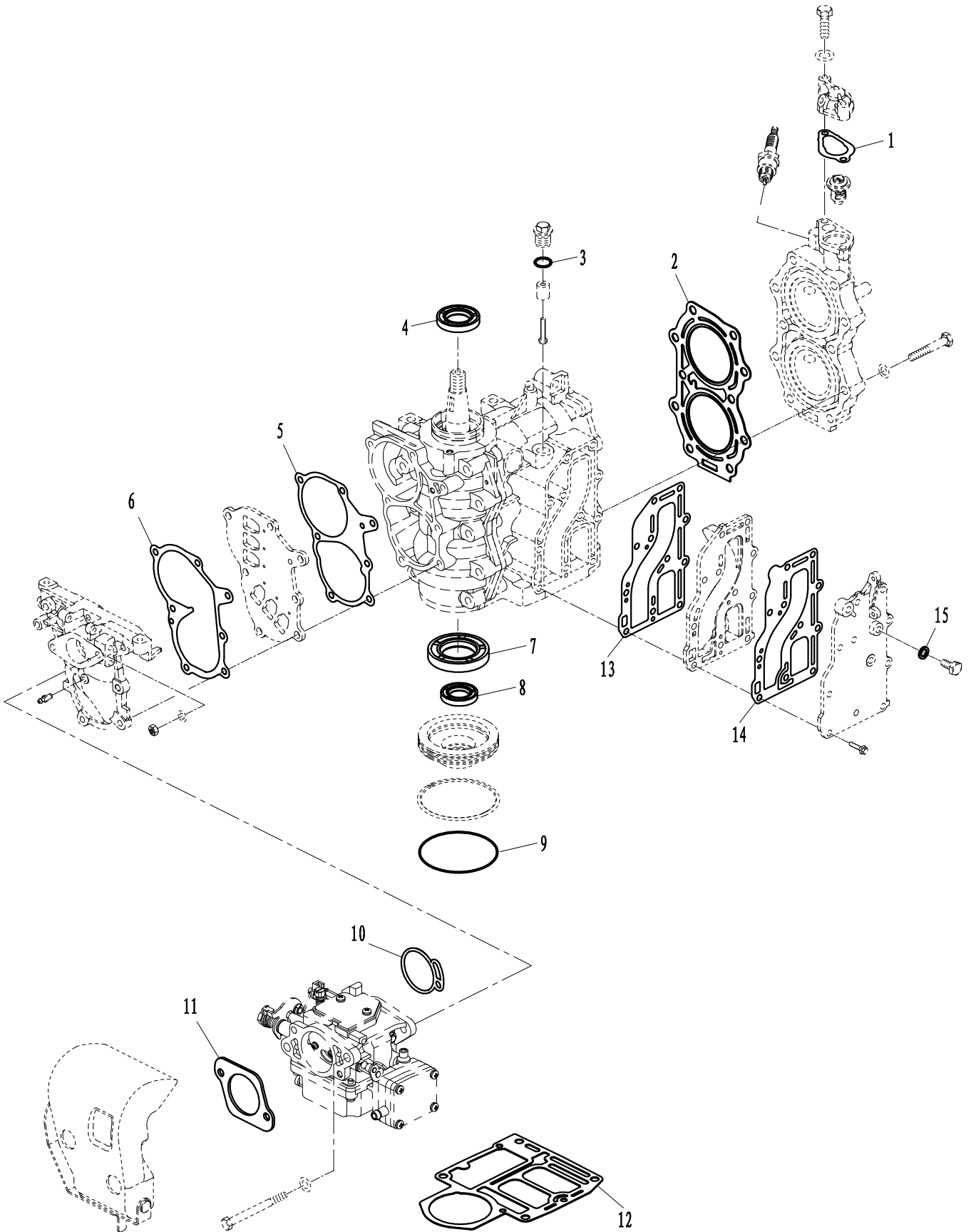
零部件名称:	发动机头总成(维修件)
--------	-------------

PARTS NAME:	ENGINE ASSY(REPAIR KIT)
-------------	-------------------------

SN. 参照号码	PART NO. 零件编号	DESCRIPTION 零件名称(中文)	DESCRIPTION 零件名称(英文)	QTY 数量					REMARKS 备注
1	T18-05040000	发动机头总成	ENGINE ASSY	1					
2	T18-05000037	进气阀座密封垫B	GASKET B, INTAKE MANIFOLD	1					
3	T18-05000100	进气阀座组件	INTAKE MANIFOLD ASSY	1					
4	T18-05000001	进气阀座密封垫A	GASKET A, INTAKE MANIFOLD	1					
5	T18-05000002	进气歧管	INTAKE MANIFOLD	1					
6	GB/T97.1-6	平垫圈 6	WASHER 6	12					
7	GB/T5782-M6x35	六角螺栓 M6x35	BOLT M6x35	1					
8	T18-05010103	气嘴	AIR TAP	1					
9	GB/T5782-M6x28	六角螺栓 M6x28	BOLT M6x28	4					
10	GB/T6170-M6	六角螺母 M6	NUT M6	2					
11	GB/T5782-M6x30	六角螺栓 M6x30	BOLT M6x30	2					
12	T18-05000007	节温器盖	COVER, THERMOSTAT	1					
13	T18-05000008	节温器盖密封垫	GASKET, THERMOSTAT COVER	1					
14	T18-05000006	节温器	THERMOSTAT	1					
15	B7HS 10	火花塞	SPARK PLUG	1					
16	T60-05010001	六角螺栓 M8x40	BOLT M8x40	10					
17	GB/T97.1-8	平垫圈 8	WASHER 8	20					
18	T18-05000004	气缸盖	CYLINDER HEAD	1					
19	T18-05000003	缸头复合垫	GASKET, CYLINDER HEAD	1					
20	F20-05030009	阳极螺栓	BOLT, ANODE	1					
21	GB/T3452.1-13x2	O型圈 13x2	O-RING 13x2	1					
22	F4-04070003	节温器盖阳极	ANODE, THERMOSTAT	1					
23	GB/T818-M5x25	十字槽盘头螺钉M5x25	SCREW M5x25	1					
24	T18-05010000	机体机座组件	CRANKCASE ASSY	1					
25	GB/T900-M6x30	双头螺栓 M6x30	STUDS M6x30	1					
26	GB/T900-M6x25	双头螺栓 M6x25	STUDS M6x25	1					
27	T20-06010003	六角螺栓 M8x45	BOLT M8x45	10					
28	F15-00000006	定位销 6x12	DOWEL PIN 6x12	2					
29	T6-05010102	气嘴组件	AIR TAP ASSY	1					
30	T18-05010103	气嘴	AIR TAP	1					
31	T6-05010103	回油嘴	OIL TAP	1					
32	T18-05000009	排气盖板垫A	GASKET A, EXHAUST COVER	1					
33	T18-05000010	排气内盖	INNER COVER, EXHAUST	1					
34	T18-05000011	排气盖板垫B	GASKET B, EXHAUST COVER	1					
35	T18-05000012	排气外盖	OUTER COVER, EXHAUST	1					
36	GB/T9074.14-M6x25	六角螺栓平垫组合 M6x25	BOLT M6x25	11					
37	F4-04000006	放油螺栓密封垫	GASKET	1					
38	GB/T5783-M8x10	六角螺栓 M8x10	BOLT M8x10	1					
39	T18-05020001	曲轴上油封 25x45x8	OIL SEAL 25x45x8	1					
40	T18-05020100	曲轴连杆组件	CRANKSHAFT ROD ASSY	1					
41	T18-05020002	曲轴定位片	LOCATING WASHER, CRANKSHAFT	1					
42	T18-05020008	活塞垫圈	WASHER, PISTON	4					
43	T15-04000206	圆头滚针 2x13.8	NEEDLE BEARING 2x13.8	50					

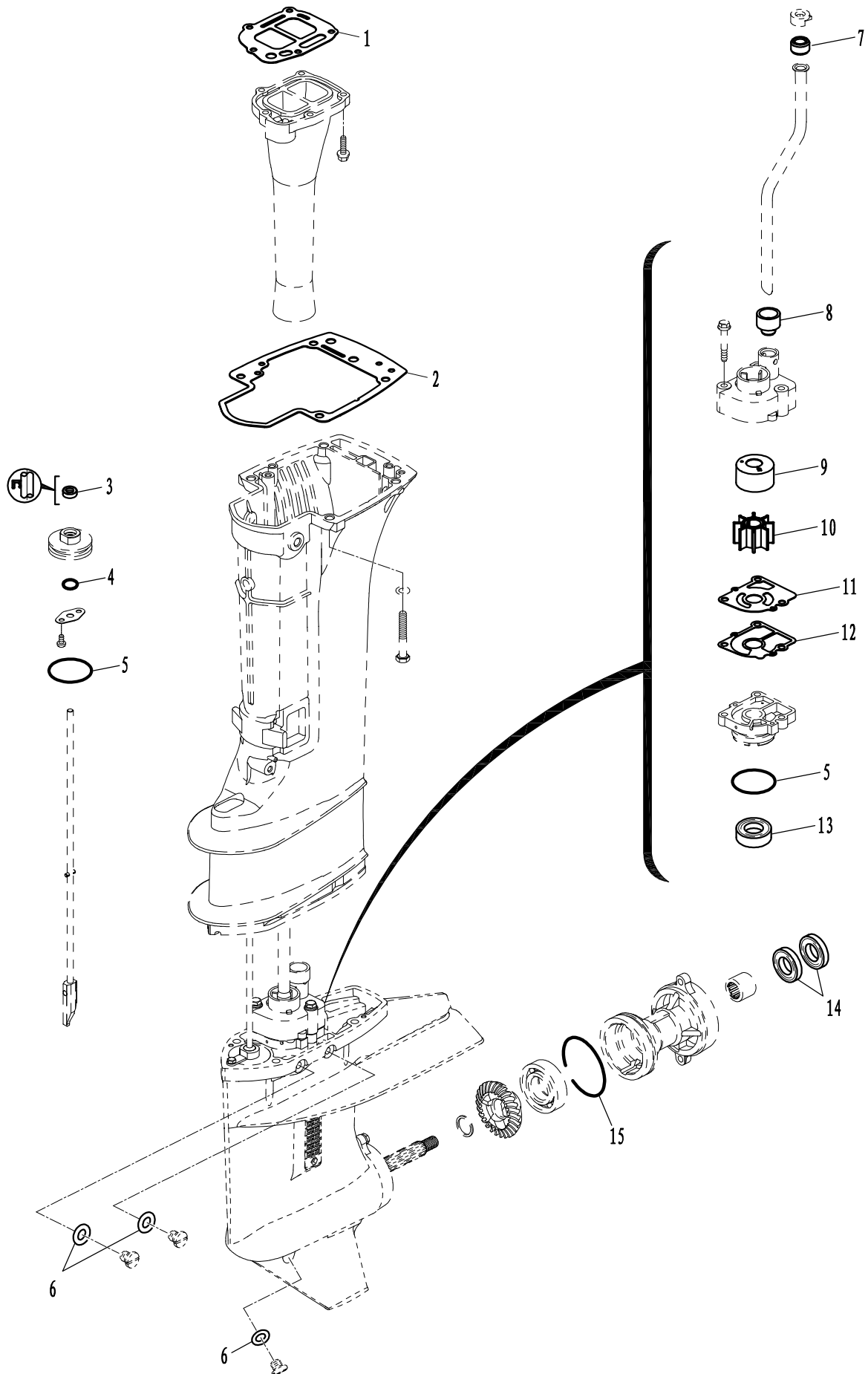
零部件名称: 附件 1 (维修件)

PARTS NAME: APPENDIX 1 (REPAIR KIT)



零部件名称: 附件 2 (维修件)

PARTS NAME: APPENDIX 2 (REPAIR KIT)



零部件名称:

零件目录检索表

PARTS NAME:

PARTS CATALOGUE INDEX

零件代号 PART NO.	页码/序号 PAGE/NO.	零件代号 PART NO.	页码/序号 PAGE/NO.	零件代号 PART NO.	页码/序号 PAGE/NO.
B7HS 10	26-6	F15-07000005	20-2	F15-13010001W	41-60
GB/T276-6205	16-42	F15-07080000	24-26	F15-13010002W	41-61
GB/T276-6302	15-15	F15-07080001	24-27	F15-13010004W	41-57
GB/T276-6305	29-3	F15-07080002	24-29	F15-13010005W	41-56
GB/T3452.1-13x2	26-17	F15-07130205	31-10	F15-13010008W	41-58
GB/T3452.1-2x56	29-27	F15-07150001W	22-18	F15-13010009W	41-62
GB/T3452.1-3.55x35	15-11	F15-07150200W	22-20	F15-13010010W	41-49
GB/T3452.1-33x2.0	24-28	F15-07150300W	22-12	F15-13020000W	40-12
IKO 1720Z	16-57	F15-07150501W	22-9	F15-13020001W	40-16
IKO TA1620Z	15-26	F15-08000100W	13-6	F15-13020002W	40-19
JASO-F404-24-016	13-30	F15-09000000	38-1	F15-13020003W	40-20
JASO-F404-35-022	3-48	F15-09000001	38-14	F15-13020004W	40-21
JB/T7940.1-M6	2-35	F15-09000002	38-12	F15-13020005W	40-17
S7133-13.3	38-11	F15-09010000	38-15	F15-13020006W	40-15
E4-07020015W	41-55	F15-09020000	38-10	F15-13020007W	40-14
E4-10040100W	41-59	F15-09030000	38-13	F15-13020100W	40-18
F2.6-05000004	13-18	F15-10000000	38-2	F20-03000004	22-22
	24-36	F15-10000001	38-9	F20-04000002E	15-30
F4-00000005	11-18	F15-10000002	38-8	F20-04000003E	16-41
F4-01010003	2-25	F15-10000003	38-7	F20-04000005-3E	15-13
F4-01090006	5-6	F15-10010000	38-3	F20-04000007E	15-34
F4-01090007	5-5	F15-10020000	38-6	F20-04000100E	16-43
F4-01090200	5-7	F15-11000001W	40-9	F20-04060002E	16-55
F4-01090401	9-34	F15-11000002W	40-2	F20-04060003E	16-54
F4-01090401	40-10	F15-11020002W	13-25	F20-05030009	26-16
F4-03000023	15-32	F15-12000013W	41-48	F25-01010011	2-19
F4-03000024	15-31	F15-12000016W	41-63	F25-01010012W	13-31
F4-04000006	27-44	F15-13000001W	40-39	F25-01010102	2-24
F4-04000030	9-29	F15-13000002W	40-32	F25-01010103	2-26
	24-30	F15-13000003W	40-35	F25-01010104	2-23
F4-04070003	26-18	F15-13000004W	40-36	F25-04000007	15-4
F4-04090005	34-48	F15-13000005W	40-23	F25-05090100W	22-19
F4-04090011	34-47	F15-13000006W	40-43	F25-05160500	31-9
F4-05000200	9-28	F15-13000007W	40-31	F25-05170201W	22-6
F8-01000001	2-17	F15-13000008W	40-40	F25-05170202W	22-11
F8-01000002	2-18	F15-13000011W	41-45	F25-05170400W	22-10
F8-01000100	2-29	F15-13000012W	41-47	F25-07000006W	13-23
F8-01010102	2-30	F15-13000013W	40-25	F25-07000007W	40-27
F15-00000006	7-3	F15-13000014W	40-8	F25-07000303W	13-27
	26-33	F15-13000015W	41-51	F25-07000304W	13-29
F15-00000012	9-4	F15-13000100W	40-3	F25-08000100W	13-24
	13-10	F15-13000202W	40-5	F40-05000003	22-25
F15-00000013	18-1	F15-13000203W	40-6	F40-13000200EFI	40-7
F15-01010007	2-34	F15-13000300W	41-46	F115-00000016	2-1
F15-04000008	29-24	F15-13000400W	40-11	F115-01010105	31-3
F15-05000023	11-11	F15-13000601W	40-42		
F15-05170301W	22-13	F15-13000602W	40-41		
F15-06020004	15-20	F15-13000700W	41-44		
F15-06070007	16-52	F15-13000800W	40-34	T3.6-02010100	5-3
F15-06080004	16-58	F15-13010000W	41-52	T5-03000016	15-36

零部件名称:

零件目录检索表

PARTS NAME:

PARTS CATALOGUE INDEX

零件代号 PART NO.	页码/序号 PAGE/NO.	零件代号 PART NO.	页码/序号 PAGE/NO.	零件代号 PART NO.	页码/序号 PAGE/NO.
T5-05020106	29-11	T18-01010302	3-54	T18-03000016	9-26
T5-05040003	31-26	T18-01010303	3-51	T18-03000017	11-15
T5-05040004	31-25	T18-01010304	3-53	T18-03000019	11-14
T5-05040005	31-24	T18-01010305	3-50	T18-03000020	9-33
T5-05040010	26-24	T18-01010306	3-55	T18-03000021	9-7
	31-27	T18-01010307	3-61	T18-03000022	9-6
T6-01010200	2-32	T18-01010308	3-60	T18-03000024	9-3
T6-03010001	11-2	T18-01010309	3-58	T18-03000025	9-24
T6-05000019	26-26	T18-01010310	3-59	T18-03000026	9-13
T6-05000022	33-2	T18-01010311	3-62	T18-03000027	9-25
T6-05000300	26-27	T18-01010312	2-11	T18-03000028	7-8
T6-05000706	20-19	T18-01010313	2-8	T18-03000029	7-11
T6-05010102	26-34	T18-01010314	2-12	T18-03000030L	7-13
T6-05010103	26-36	T18-01010315	2-10	T18-03000030S	
T6-05020107	29-23		9-5	T18-03000031	7-10
T15-04000013	26-28	T18-01010316	3-57	T18-03000032	7-9
T15-04001300W	22-4	T18-01010317	3-56	T18-03000034W	13-15
T15-04020206	29-17	T18-01010400	2-38	T18-03000100	11-1
T20-04000801W	13-2	T18-01010402	2-37	T18-03000200	11-7
T20-04000802W	13-3	T18-01010500	2-20	T18-03000201	11-9
T20-04000803W	13-4	T18-01020000	2-5	T18-03000203	11-8
T20-06010003	26-32	T18-01020003	5-18	T18-03000301	27-53
T20-06050302	27-55	T18-01020004	2-7	T18-03000302	27-51
T20-13000000W	40-1	T18-01020005	5-15	T18-03000401	27-54
T20-13000500W	40-30	T18-01020100	2-4	T18-03000500W	13-8
T36-02020002	18-6	T18-01030000	5-1	T18-03000600W	13-16
T36-04000023	26-30	T18-01030001	5-11	T18-03000700W	13-1
T36-04000025	26-14	T18-01030002	5-17	T18-04000002	15-34
T36-04000205	27-50	T18-01030003	5-16	T18-04000003	15-35
T40-05000018	20-20	T18-01030004	5-9	T18-04000005	15-7
T60-05010001	26-9	T18-02000001L	7-7	T18-04000006	15-8
		T18-02000001S		T18-04000007	15-16
		T18-02000002	7-4	T18-04000009	18-4
		T18-02000003	7-1	T18-04000010	15-27
T18-00000001	2-6	T18-02000004	7-14	T18-04000011	18-7
T18-00000002	2-3	T18-02000100	7-2	T18-04000012	15-28
T18-00000003	3-44	T18-03000001	9-14	T18-04000100	16-43
T18-00000005	3-45	T18-03000002	9-23	T18-04000200	15-6
T18-00000006	3-46	T18-03000003	9-22	T18-04000301	15-3
T18-00000007	2-40	T18-03000004	9-21	T18-04000302	15-5
T18-00000008	2-15	T18-03000005	9-20	T18-04000303	15-2
T18-00000009	9-27	T18-03000007	9-19	T18-04000400	15-17
T18-00000010	27-56	T18-03000008	9-30	T18-04000401	15-19
T18-00000011	11-16	T18-03000009	9-31	T18-04000402	15-18
T18-00000012	11-17	T18-03000010	9-32	T18-04000403	15-25
T18-01010001	2-27	T18-03000011	9-35	T18-04000404	15-21
T18-01010002	2-36	T18-03000012	11-6	T18-04010000L	15-14
T18-01010100	2-33	T18-03000013	26-23	T18-04010000S	
T18-01010200	2-22	T18-03000014	11-12	T18-04020000	15-9
T18-01010301	2-28	T18-03000015	11-5	T18-04020001	15-10

零部件名称:

零件目录检索表

PARTS NAME:

PARTS CATALOGUE INDEX

零件代号 PART NO.	页码/序号 PAGE/NO.	零件代号 PART NO.	页码/序号 PAGE/NO.	零件代号 PART NO.	页码/序号 PAGE/NO.
T18-04020002	15-12	T18-05000030	24-16	T18-05000828	33-40
T18-04030000L	15-23	T18-05000031	24-13	T18-05000829	34-44
T18-04030000S		T18-05000035	31-28	T18-05000830	33-41
T18-04040000	16-44	T18-05000037	24-3	T18-05000831	33-42
T18-04040001	16-51	T18-05000038	26-7	T18-05000832	34-46
T18-04040002	16-50	T18-05000040	20-1	T18-05000833	34-45
T18-04040003	16-47	T18-05000041	24-31	T18-05000834	34-50
T18-04040004	16-48	T18-05000043W	22-21	T18-05000835	34-51
T18-04040005	16-49	T18-05000044W	22-16	T18-05000836	34-52
T18-04040006	16-45	T18-05000046W	22-17	T18-05000837	34-53
T18-04040007	16-46	T18-05000047W	13-12	T18-05000901	24-34
T18-04050000A	16-53	T18-05000048W	13-13	T18-05000902	24-37
T18-04050000B		T18-05000100	24-4	T18-05000903	24-39
T18-04050001	16-54	T18-05000101	24-9	T18-05000904	24-33
T18-04050002	16-56	T18-05000102	24-8	T18-05001100W	22-26
T18-04060000	18-5	T18-05000103	24-7	T18-05001101W	22-27
T18-04070000L-A	16-60	T18-05000300	24-15	T18-05010000	26-31
T18-04070000L-B		T18-05000700	20-3	T18-05010103	24-20
T18-04070000S-A		T18-05000700W		T18-05010103	26-35
T18-04070000S-B		T18-05000800	33-1	T18-05020001	29-1
T18-045000042W	22-5	T18-05000801	33-28	T18-05020002	29-15
T18-05000001	24-10	T18-05000802	33-16	T18-05020003	29-20
T18-05000002	24-22	T18-05000803	33-15	T18-05020004	29-21
T18-05000003	26-12	T18-05000804	33-6	T18-05020005	29-19
T18-05000004	26-11	T18-05000805	33-7	T18-05020008	29-16
T18-05000005	20-24	T18-05000806	33-8	T18-05020100	29-2
T18-05000006	26-5	T18-05000807	33-33	T18-05020101	29-5
T18-05000007	26-3	T18-05000808	33-5	T18-05020102	29-4
T18-05000008	26-4	T18-05000809	33-17	T18-05020103	29-6
T18-05000009	26-37	T18-05000810	33-9	T18-05020104	29-7
T18-05000010	26-38	T18-05000811	33-10	T18-05020105	29-8
T18-05000011	26-39	T18-05000812	33-11	T18-05020106	29-9
T18-05000012	26-40	T18-05000813	33-12	T18-05020107	29-10
T18-05000013	26-22	T18-05000814	33-35	T18-05020108	29-12
T18-05000014	26-20	T18-05000815	33-34	T18-05020109	29-13
T18-05000015	26-21	T18-05000816	33-22	T18-05020200	29-22
T18-05000015	31-31	T18-05000816-1	33-25	T18-05020201	29-25
T18-05000017	20-17	T18-05000816-2	33-23	T18-05020204	29-26
T18-05000018	20-14	T18-05000816-3	33-24	T18-05030000	31-1
T18-05000019	20-12	T18-05000817	33-21	T18-05030001	31-7
T18-05000020	20-7	T18-05000818	33-20	T18-05030003	31-13
T18-05000021	20-10	T18-05000819	33-27	T18-05030004	31-12
T18-05000022	9-12	T18-05000820	33-36	T18-05030005	31-20
T18-05000023	27-48	T18-05000821	33-31	T18-05030006	31-18
T18-05000024	27-47	T18-05000822	33-32	T18-05030007	31-15
T18-05000025	26-29	T18-05000823	33-29	T18-05030008	31-19
T18-05000026	26-25	T18-05000824	33-30	T18-05030009	31-14
T18-05000027	20-27	T18-05000825	33-37	T18-05030010	31-8
T18-05000028	20-26	T18-05000826	33-38	T18-05030011	31-33
T18-05000029	20-23	T18-05000827	33-39	T18-05030012	31-32

零部件名称:

零件目录检索表

PARTS NAME:

PARTS CATALOGUE INDEX

零件代号 PART NO.	页码/序号 PAGE/NO.	零件代号 PART NO.	页码/序号 PAGE/NO.	零件代号 PART NO.	页码/序号 PAGE/NO.
T18-05030013	31-16				
T18-05030100	31-11				
T18-06000000	36-1				
T18-06000001	36-3				
T18-06000002	36-2				
T18-06000003	36-11				
T18-06000004	36-14				
T18-06000005	36-9				
T18-07000001	36-6				
T18-07000002	36-4				
T18-07000003	36-5				
T18-07000004	36-16				
T18-07000005					
T18-08000101W	13-28				
T18-08000102W	13-22				